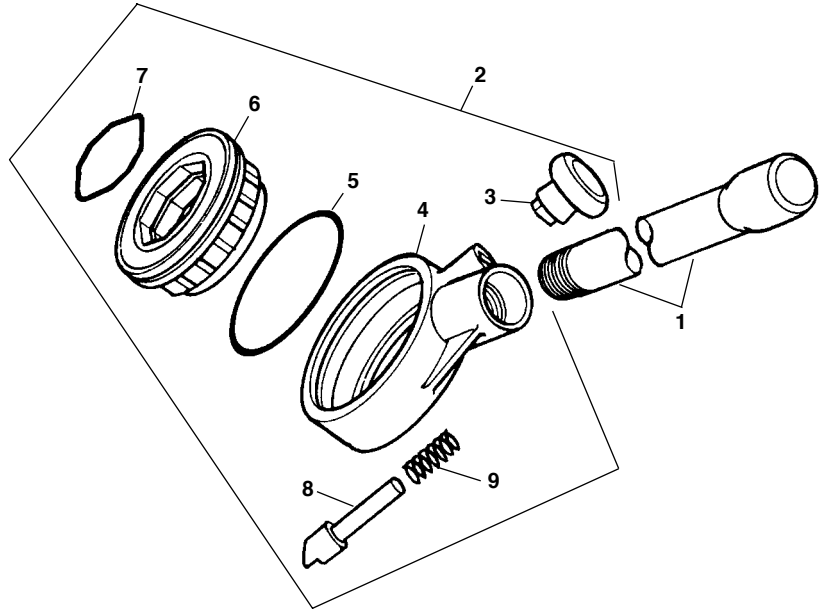


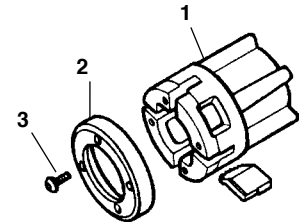
RIDGID R-200 Ratchet Threader Parts

**NOTE: Order parts by Catalog Number only.
DO NOT order by Reference Number.**

Ref. No.	Catalog No.	Description
—	37777	Ratchet & Handle Assembly
1	38585	Handle
2	39177	Ratchet Assembly
3	39197	Knob
4	39182	Ratchet Housing
5	39172	Spring - Housing
6	39187	Ratchet Ring
7	38830	Spring - Ratchet Ring
8	39192	Pawl
9	39202	Pawl Spring



Ref. No.	Description		NPT/NPSM	BSPT/BSPP	IMC	JIS	BEC	ISO
			Catalog No.	Catalog No.	Catalog No.	Catalog No.	Catalog No.	Catalog No.
1	Die Head	1/8"	39207	39207	—	—	—	—
		1/4"	39222	39222	—	—	—	—
		3/8"	39237	39237	—	—	—	—
		1/2"	39252	39252	39257	39262	39462	—
		5/8"	—	—	—	—	39472	—
		3/4"	39277	39277	39282	39287	39482	—
		1"	39302	39312	39307	39317	39492	—
		1 1/4"	39332	39342	39337	39347	39502	—
		1 1/2"	39362	39362	39367	39372	39512	—
		2"	39387	39387	39392	39397	—	—
		16mm	—	—	—	—	—	39412
		20mm	—	—	—	—	—	39422
		25mm	—	—	—	—	—	39432
		32mm	—	—	—	—	—	39442
40mm	—	—	—	—	—	39452		
2	Cover Plate	1/8"	39212	39212	39212	39212	—	—
		1/4"	39227	39227	39227	39227	—	—
		3/8"	39242	39242	39242	39242	—	—
		1/2"	39267	39267	39267	39267	39467	—
		5/8"	—	—	—	—	39477	—
		3/4"	39292	39292	39292	39292	39487	—
		1"	39322	39322	39322	39322	39497	—
		1 1/4"	39352	39352	39352	39352	39507	—
		1 1/2"	39377	39377	39377	39377	39517	—
		2"	39402	39402	39402	39402	—	—
		16mm	—	—	—	—	—	39417
		20mm	—	—	—	—	—	39427
		25mm	—	—	—	—	—	39437
		32mm	—	—	—	—	—	39447
40mm	—	—	—	—	—	39457		
3	Screws (Used with 1/8"-3/4" DH)		39542	39542	39542	39542	39542	39542
	Screws (Used with 1"-2" DH)		39547	39547	39547	39547	39547	39547



NPT - National Pipe Taper
NPSM - National Pipe Straight Mechanical
BSPT - British Standard Pipe Taper

BSPP - British Standard Pipe Parallel
IMC - Intermediate Metal Conduit
JIS - Japanese International Standards
BEC - British Electrical Conduit