

**NOTE: Order parts by Catalog Number only.
DO NOT order by Reference Number.**

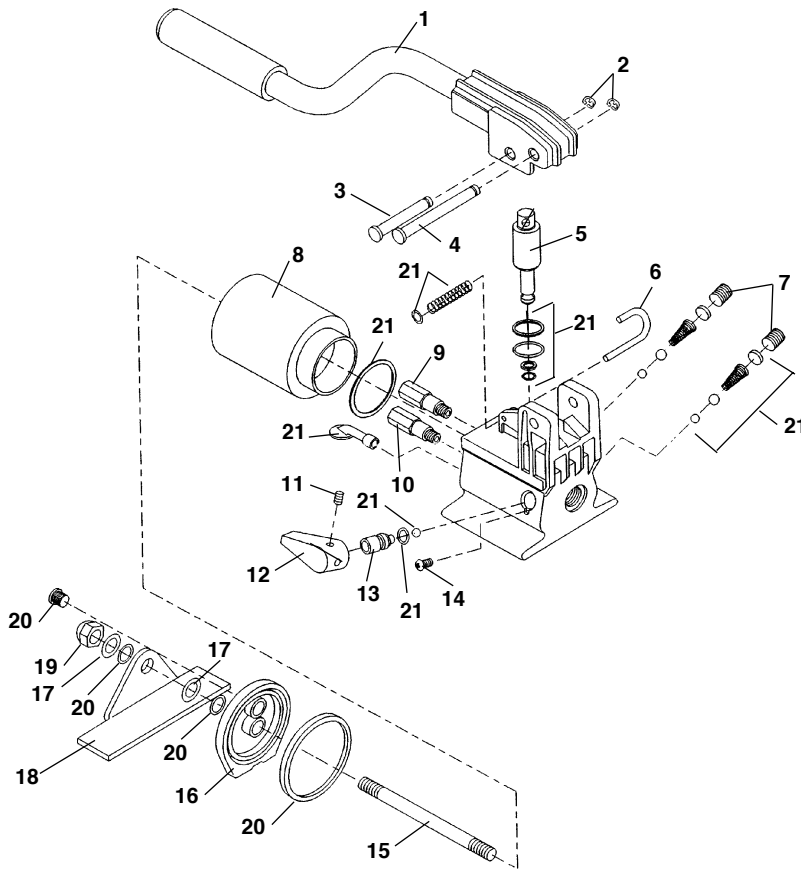
Ref. No.	Catalog No.	Description	Ref. No.	Catalog No.	Description	Ref. No.	Catalog No.	Description
1	49117	Depth Adjustment Nut	22	27002	Key, 3/16 Sq. x 1 5/16	36	49197	Guard (Incls. Ref. 29)
2	49112	Depth Rod	23	49107	Set of 2 Slide Keys	37	49127	Bearing
3	49122	Spring	24	51427	Drive Shaft, 2-6" Sch. 10 & 40	38	49192	Spiral Retaining Ring
4	60995	Flat Washer, 3/4"		51432	Drive Shaft Assy. - same as above and includes Ref. 37, 49	39	49057	Lower Roll Housing (Incls. Ref. 20)
5	49262	Label, Depth Adjustment		51817	Drive Shaft, 8-12" Sch 10, 8" Sch 40	40	49177	Retaining Ring
6	49147	Hydraulic Cylinder		51812	Drive Shaft Assy. - same as above and includes Ref. 37, 49	41	49172	Lock Pin
7	49142	Hydraulic Hose				42	44915	Spring
8	46915	Grease Fitting - 65 Deg.				43	49132	Retaining Plate
9	87695	Seal	25	87600	Roller Bearing (2)	44	60265	Hex Screw, 1/4" - 20 x 1/2" (3)
10	87710	Roller Bearing	26	49187	Spiral Retaining Ring	45	49667	Hex Bolt 5/8" - 11 x 7"
11	49062	Upper Roll Housing (Incls. Ref. 9, 10, 16, 17, 20, 21)	27	91000	Seal	46	61132	Hydraulic Pump
12	49152	Lock Ring	28	49157	Drive Roll, 1"	47	60005	Hex Screw, 1/4" - 20 x 3/4" (4)
13	49082	Piston Rod Coupling		49072	Drive Roll, 1 1/4" - 1 1/2"	48	27402	Flat Washer (4)
14	45192	Set Screw, 1/4" - 20 x 3/8"		51732	Drive Roll, Copper 2" - 6"	49	49607	Bearing Retaining Nut
15	49162	Groove Roll, 1"	29	49202	Set of 2 Spacers	50	49067	Drive Shaft - for 1", 1 1/4", 1 1/2" rolls and copper roll 2" - 6"
	49097	Groove Roll, 1 1/4" - 1 1/2"	30	49207	Label, Warning		49627	Drive Shaft Assy. - same as above and includes Ref. 37, 38, 45
	49217	Groove Roll 2" - 6" SC 10/40	31	48292	Mounting Base Kit - 300			
	51822	Groove Roll, 8" - 12" Sch. 10, 8" Sch. 40		48392	Mounting Base Kit - 1822			
	50127	Groove Roll, Copper 2" - 6"		48397	Mounting Base Kit - 1224			
16	45265	Set Screw, 1/4" - 20 x 1/2"		48402	Mounting Base Kit - 535			
17	87690	Seal		60212	Mounting Base Kit - 1233/300 Compact			
18	49102	Upper Roll Shaft (Incls. Ref. 8, 22)	33	45500	Hex Screw, 1/2" x 1 1/4" (2)			
19	49252	Hex Screw, 1/4" - 20 x 1" (2)	32	86445	Lock Washer, 1/2" (2)			
20	46860	Grease Fitting (4)	34	49257	Label, Warning			
21	87610	Roller Bearing	35	49212	Hex Screw, 1/4" - 20 x 1 3/4" (2)			

Following Items Not Shown:

- 49087 T-Handle Hex Key, 1/8"
- 49167 Coupling - 535/1822/1224
- 53987 Roll Storage Case
- 54317 Box Wrench
- 60232 Sander Bracket

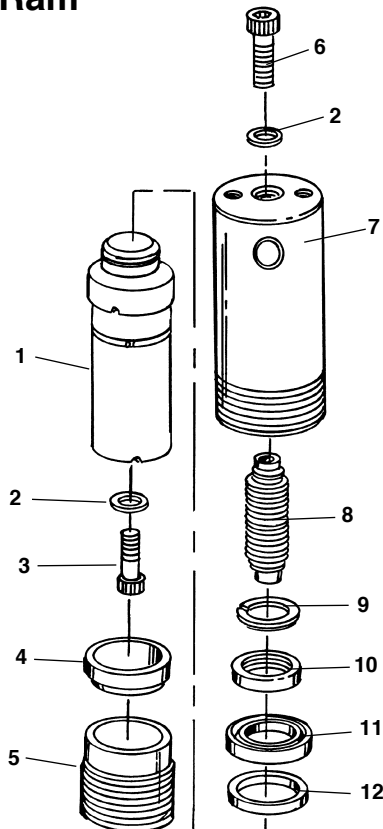
Hydraulic Pump, P392

**NOTE: Order parts by Catalog Number only.
DO NOT order by Reference Number.**



Ref. No.	Catalog No.	Description
—	61132	Pump Assembly, P392
1	64427	Handle Assembly
2	34245	Retaining Rings Set of 5
3	63762	Wrist Pin
4	64442	Pivot Pin
5	63817	Plunger Assembly
6	63747	Locking Pin
7	63742	Pipe Plug (2)
8	64412	Reservoir
9	63752	Low Pressure Relief
10	63757	High Pressure Relief
11	58720	Set Screws Set of 2
12	64437	Release Knob
13	63737	Valve Stem
14	64432	Stop Screw
15	64417	Tie Rod
16	63697	End Cap
17	63717	Washers Pack of 2
18	64422	Rear Foot
19	63707	Acorn Plug
20	63712	Fill Plug
21	63657	Repair Kit

Hydraulic Ram



Ref. No.	Catalog No.	Description
1	48622	Piston Rod
2*	48617	Copper Washer (2)
3*	48612	Cap Screw 1/4" - 20 x 1 1/4" (Torque to 100 lbs.)
4*	48607	Rod Wiper
5	48602	Retainer Nut (Torque to 100 lbs)
6	48672	Cap Screw, 1/4" - 20 x 1 1/4" (Torque to 100 lbs.)
7	48667	Cylinder Body
8	48662	Extension Spring
9*	48652	Retaining Spring
10	48647	Slip Retainer
11*	48642	U-Cup Seal
12	48637	Backup Washer
—	48677	Repair Kit

* Note: Items marked with an asterisk (*) are included in repair kit No. 48677