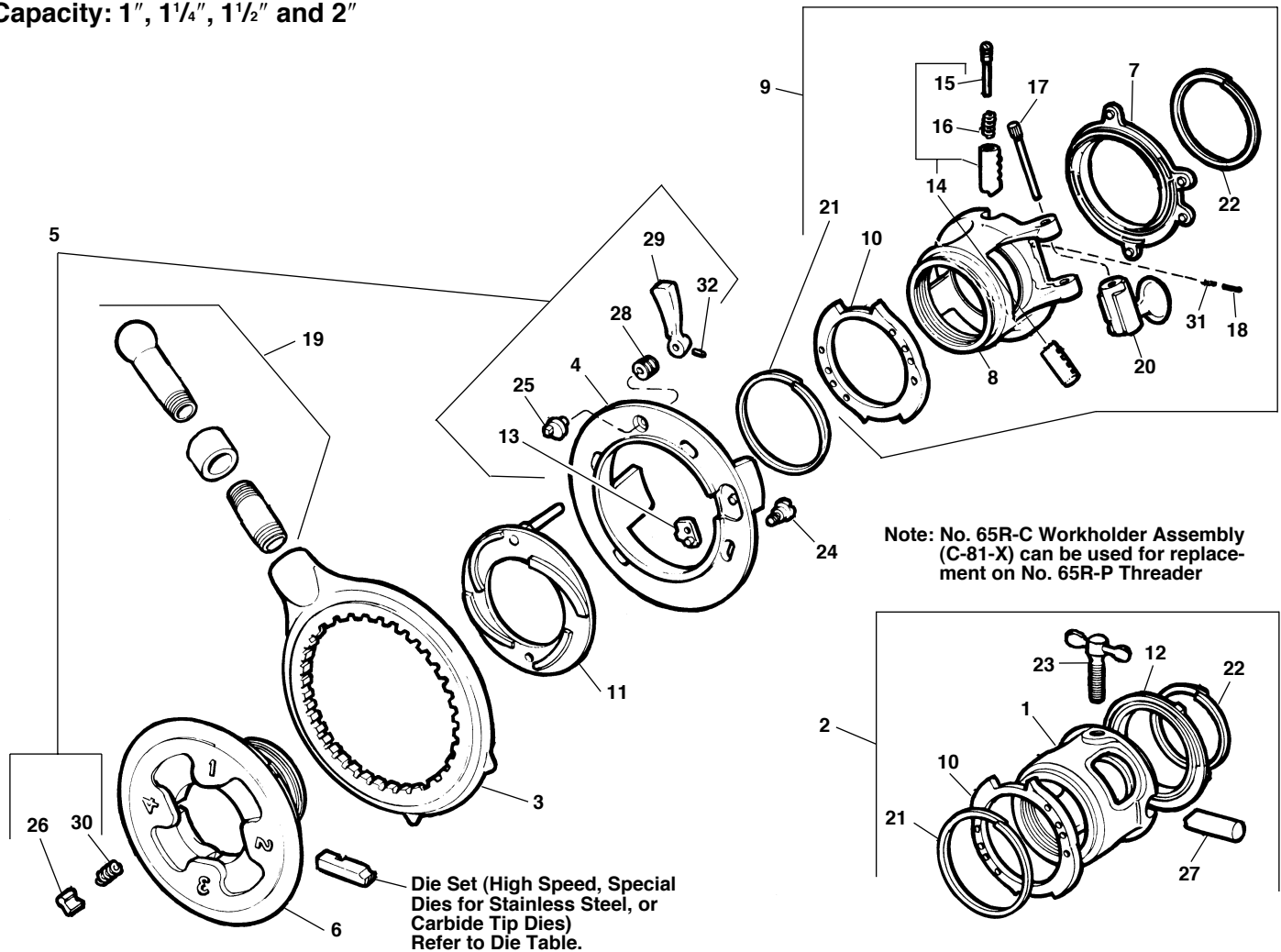


Nos. 65R-C & 65R-TC

Capacity: 1", 1 1/4", 1 1/2" and 2"



Note: No. 65R-C Workholder Assembly (C-81-X) can be used for replacement on No. 65R-P Threader

Die Set (High Speed, Special Dies for Stainless Steel, or Carbide Tip Dies) Refer to Die Table.

NOTE: Order parts by Catalog Number only. DO NOT order by Reference Number.

| Ref. No. | Catalog No. | Description | Ref. No. | Catalog No. | Description |
|----------|-------------|---|----------|-------------|-----------------------------|
| 1 | 39335 | 65R-C Workholder (Cam Type) N.P.T. | 15 | 39485 | Set Screw |
| | 68100 | 65R-C Workholder (Cam Type) B.S.P.T. | 16 | 39490 | Compression Spring |
| 2 | 39340 | 65R-C Workholder Assy. (Cam Type) N.P.T. | 17 | 39500 | Locking Cam Pin |
| | 68110 | 65R-C Workholder Assy. (Cam Type) B.S.P.T. | 18 | 39505 | Stop Pin |
| 3 | 39205 | Ratchet Ring | 19 | 39545 | Pipe Handle |
| 4 | 39215 | Drive Plate | 20 | 39555 | Locking Cam |
| 5 | 39220 | Jam Proof Drive Plate Assembly | 21 | 39975 | Change Plate Spring Ring |
| 6 | 39245 | Head N.P.T. | 22 | 39980 | Gauge Plate Spring Ring |
| | 68060 | Head B.S.P.T. | 23 | 39985 | Clamp Screw |
| 7 | 39290 | Gauge Ring | 24 | 39990 | Drive Plate Screw (4) |
| 8 | 39295 | Tru-Center Workholder N.P.T. | 25 | 39995 | Release Cam |
| | 68070 | Tru-Center Workholder B.S.P.T. | 26 | 39875 | Pawl (2) |
| 9 | 39300 | 65R Tru-Center Workholder Assy. N.P.T. | 27 | 39880 | Workholder Jaw (2) |
| | 68075 | 65R Tru-Center Workholder Assy. B.S.P.T. | 28 | 39885 | Release Cam Flat Spring (2) |
| 10 | 39400 | Change Plate N.P.T. | 29 | 39895 | Release Cam Lever |
| | 68125 | Change Plate B.S.P.T. | 30 | 39900 | Pawl Spring (2) |
| 11 | 39450 | Cam Plate | 31 | 39915 | Coil Spring |
| 12 | 39370 | Gauge Ring | 32 | 39965 | Cam Lever Pin |
| 13 | 39405 | Throwout Plate | | | |
| 14 | 39425 | Workholder Jaw (3 per set) (2 solid & 1 spring loaded) | | | |