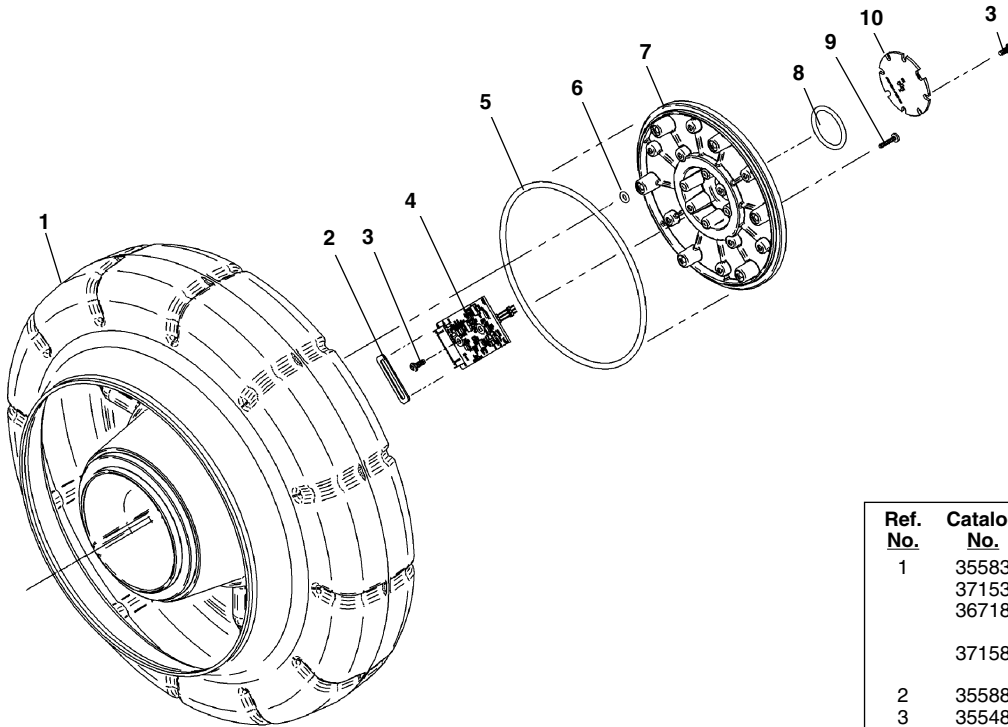


NOTE: Order parts by Catalog Number only. DO NOT order by Reference Number.

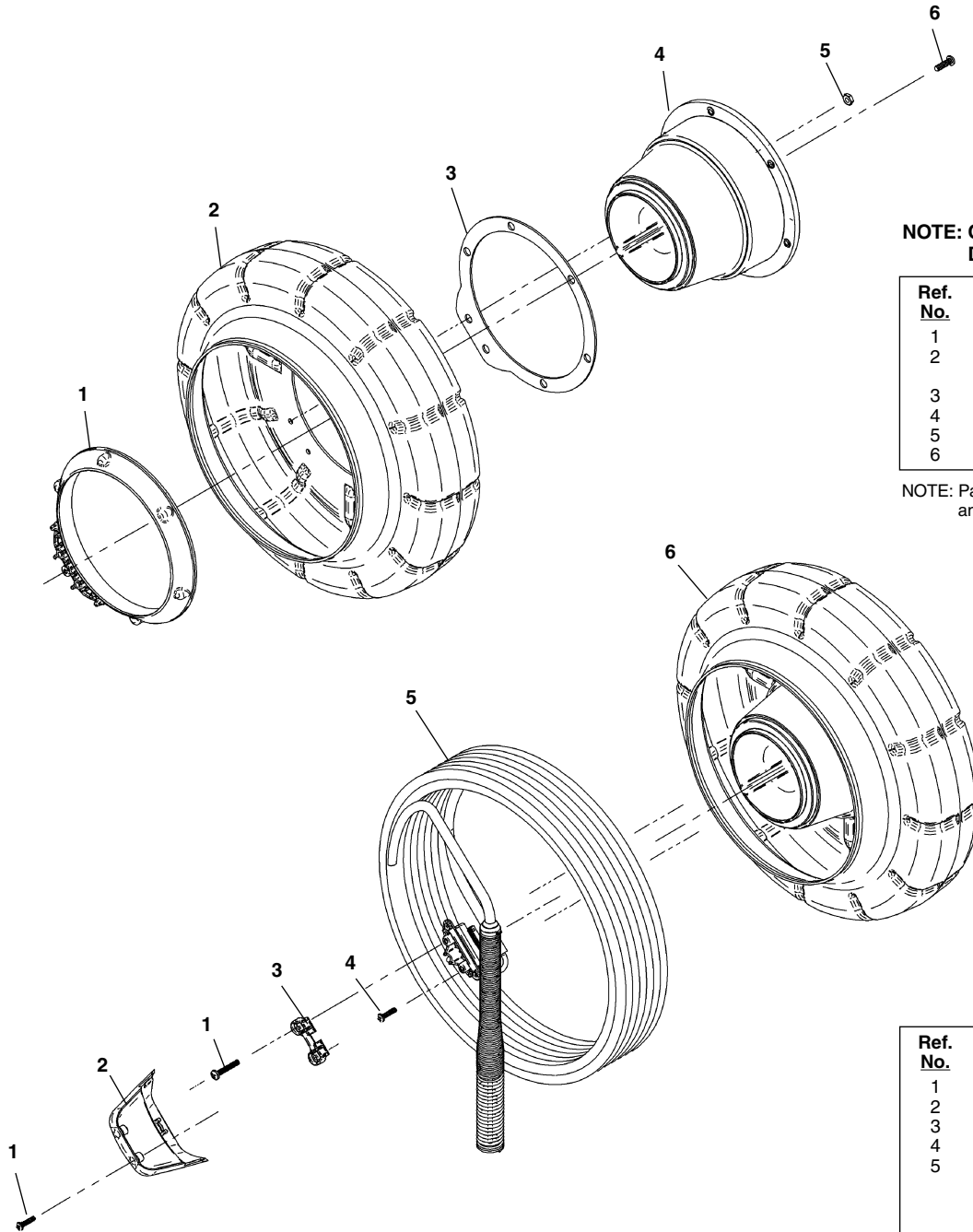
Ref. No.	Catalog No.	Description
1	35543	Magnet (2)
2	35548	Screw, 4-20 x 5/16" (6)
3	35553	Slip Ring Retainer
4	35558	Slip Ring Contact Cover
5	35563	Slip Ring Flange
6	35568	Contact Pin (6)
7	35573	Contact Pin Spring (6)
8	35578	Slip Ring PCB

NOTE: Parts Shown Are Identical Between microDrain and microReel Except When Noted As Different.



Ref. No.	Catalog No.	Description
1	35583	Drum Asm. (microDrain)
	37153	Drum Asm. (microReel)
	36718	Drum Asm. w/Electronics (microDrain)
	37158	Drum Asm. w/Electronics (microReel)
2	35588	Connector Gasket
3	35548	Screw, 4-20 x 5/16" (6)
4	35603	Main PCB (microDrain)
	37183	Main PCB (microReel Non-Counting)
	37188	Counter PCB Asm. (microReel)
5	35618	O-Ring
6	35608	O-Ring (6)
7	35593	PCB Hub Mount
8	35613	O-Ring
9	24488	Screw, #4 x 1/2" (6)
10	35598	Drum Side PCB
Items Not Shown		
	37193	Battery (microReel w/Counter Only)
	37198	Keypad (microReel w/Counter Only)

NOTE: Parts Shown Are Identical Between microDrain and microReel Except When Noted As Different.



NOTE: Order parts by Catalog Number only. DO NOT order by Reference Number.

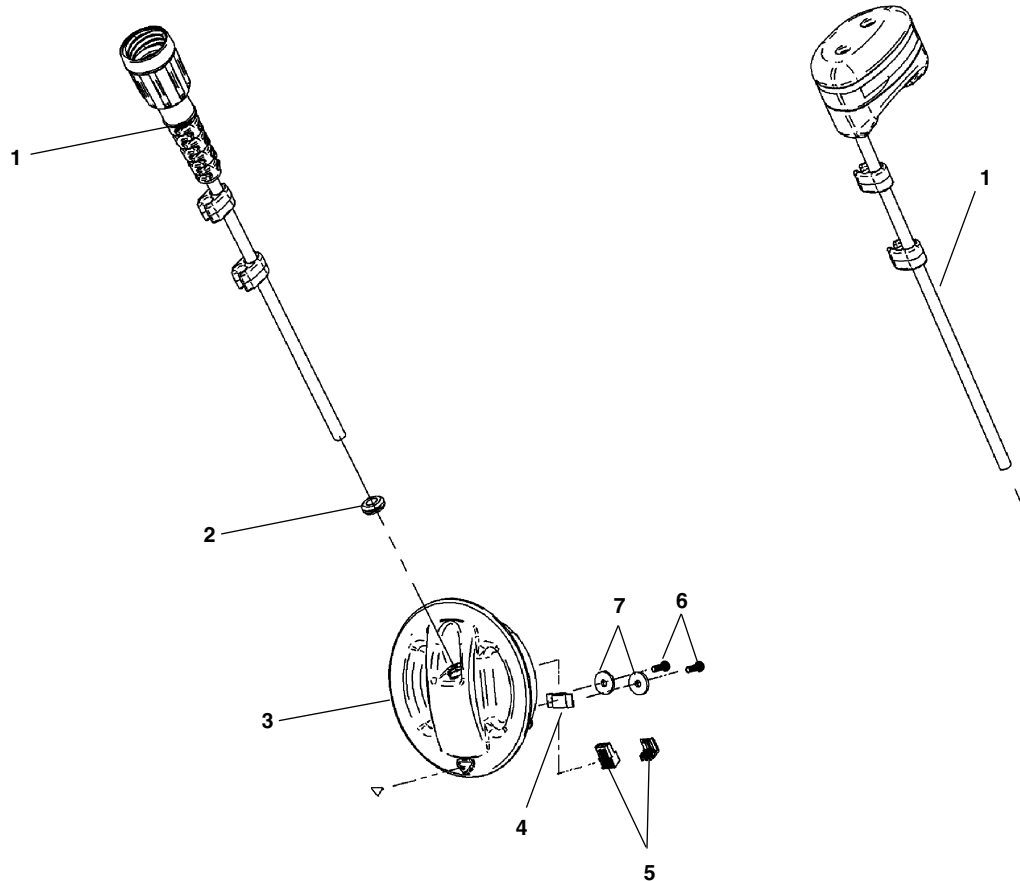
Ref. No.	Catalog No.	Description
1	35628	Hub Retainer
2	35583	Drum Asm. (microDrain)
	37153	Drum Asm. (microReel)
3	35643	Drum Hub Gasket
4	35633	Hub Cone
5	35648	Hex Nut, #8-32 (2)
6	30803	Screw, #8-16 x 5/8" (5)

NOTE: Parts Shown Are Identical Between microDrain and microReel Except When Noted As Different.

Ref. No.	Catalog No.	Description
1	35663	Screw, #6 x 5/8" (5)
2	35653	Hub Shield
3	35658	Push Cable Retainer
4	35668	Screw, #8-32 x 1" (2)
5	35318	Push Cable Asm. L/Cam. (microDrain)
	36713	Push Cable Asm. L/Cam. (microReel)
6	36718	Drum Asm. w/Electronics (microDrain)
	37158	Drum Asm. w/Electronics (microReel)

NOTE: Parts Shown Are Identical Between microDrain and microReel Except When Noted As Different.

Interconnect Cords

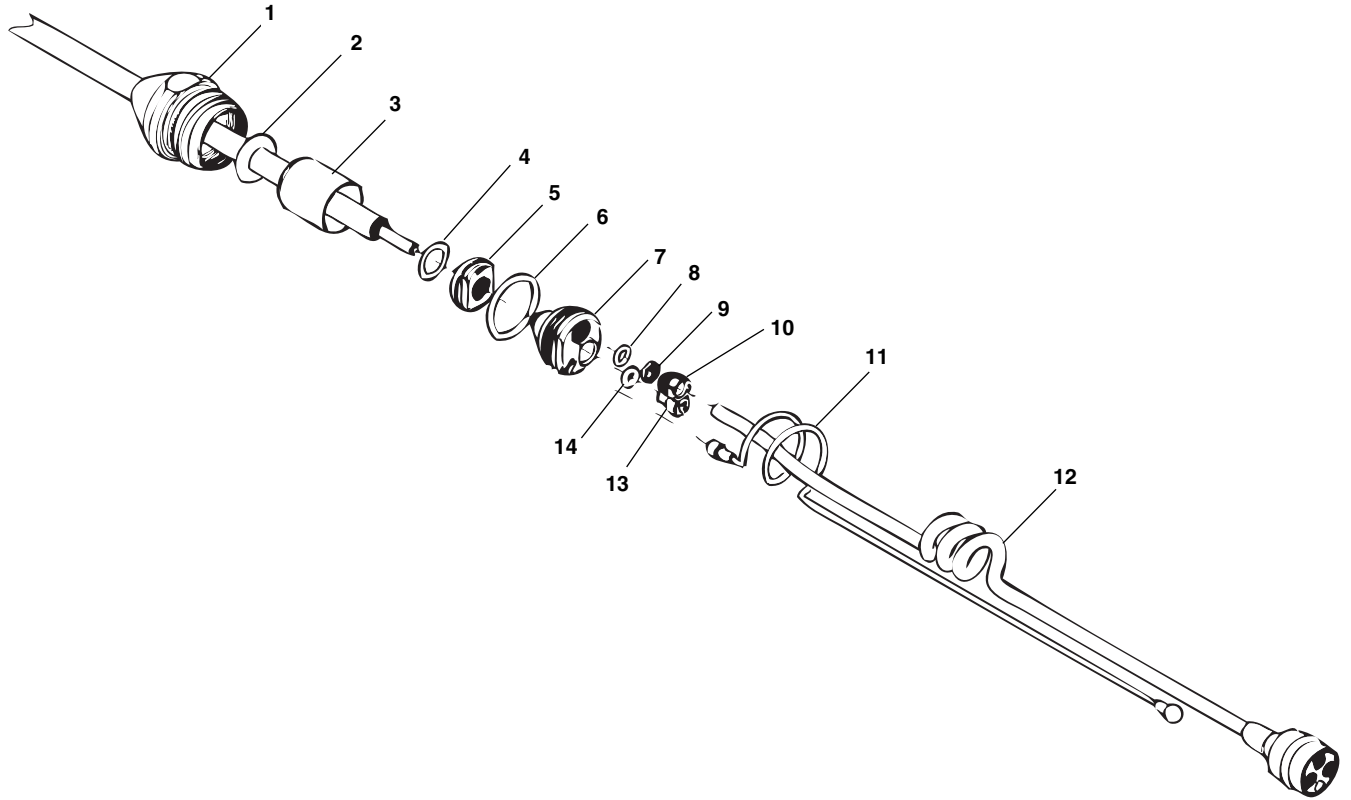


**NOTE: Order parts by Catalog Number only.
DO NOT order by Reference Number.**

Ref. No.	Catalog No.	Description
1	33108	microDrain/Reel Interconnect Cord (SeeSnake® Reel)
	33113	microDrain/Reel Interconnect Cord (microEXPLORER™ Digital Inspection Camera)
2	37388	Rubber Grommet
3	37408	Slip Ring Cover
4	37398	Clamp
5	37403	IDC Connector Set
6	31343	Screw, 4-20 x 3/8" (6)
7	37393	Flat Washer (2)

NOTE: Parts Shown Are Identical Between microDrain and microReel Except When Noted As Different.

microReel Push Cable Assembly

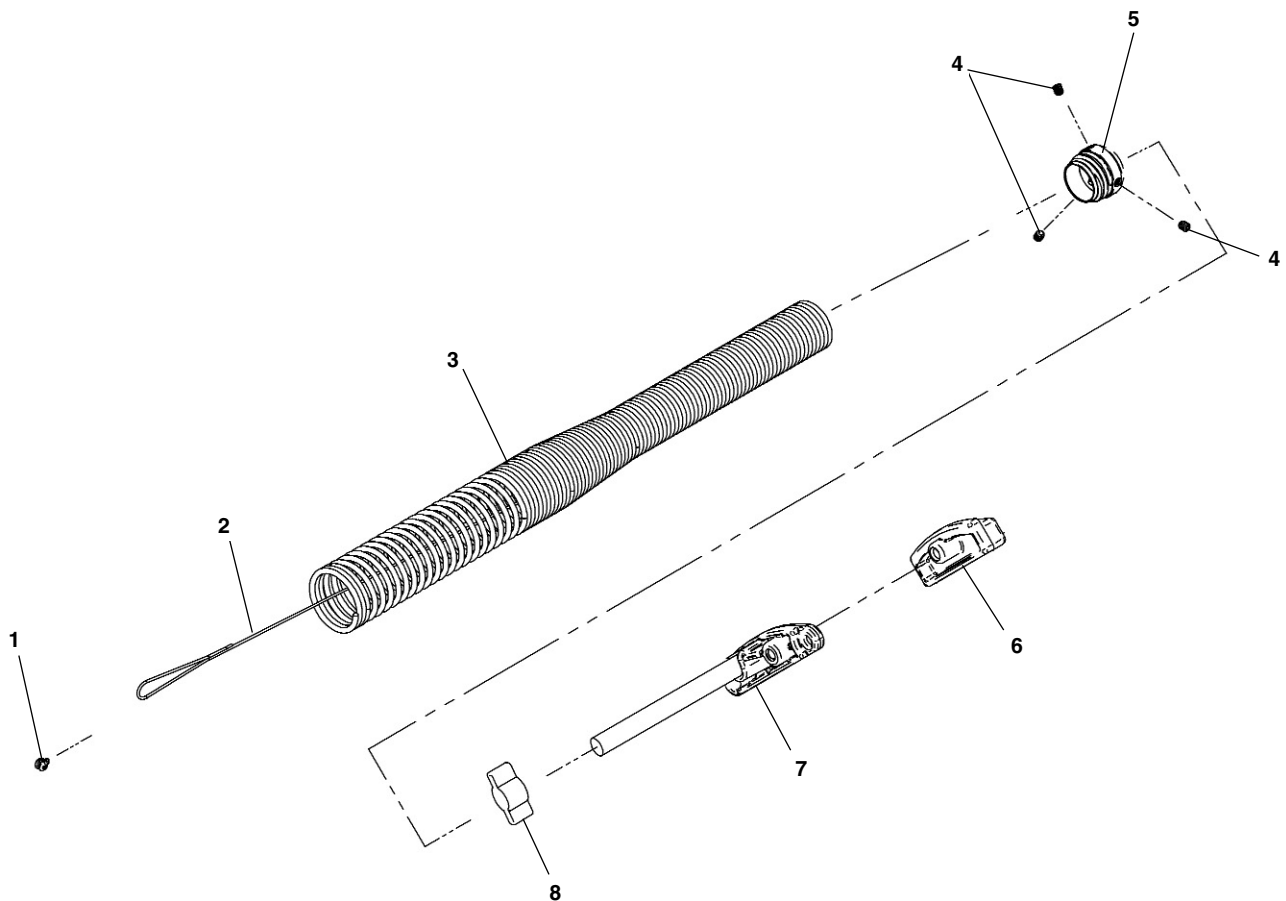


**NOTE: Order parts by Catalog Number only.
DO NOT order by Reference Number.**

Ref. No.	Catalog No.	Description	Ref. No.	Catalog No.	Description
—	36713	Push Cable Asm. L/Camera Head	12	36218	Coil Cord Assembly
1	18763	Rear Spring Shell	13	18803	Screw, #6-32 x 3/16"
2	18773	O-Ring	14	18828	O-Ring
3	18778	O-Ring Cap		18733	Retermination Kit (Includes Ref No's 2, 5, 6, 7, 8, 9, 14)
4	18793	Spring Washer	Items Not Shown:		
5	18783	Push Nut	—	37373	Spring Asm.
6	18768	O-Ring	—	20273	Locking Sleeve
7	18788	Termination Plug	—	20283	Connector w/Slot
8	18798	O-Ring	—	20288	Connector Minus Slot
9	18808	Back-Up Ring	—	20278	Retaining Ring
10	18813	Seal Screw	—	36223	12 Pin IDC Connector
11	36693	Safety Cable			

NOTE: Parts Shown Are Identical Between microDrain and microReel Except When Noted As Different.

microDrain Push Cable Assembly



**NOTE: Order parts by Catalog Number only.
DO NOT order by Reference Number.**

Ref. No.	Catalog No.	Description
—	35318	microDrain Push Cable Assembly L/Cam
1	35878	Ball Stop
2	35888	Safety Cable
3	35883	Spring Assembly
4	35918	Set Screw #4-40 x 1/8" (3)
5	35913	Rear Spring Shell
6	35928	Wire Plug
7	35933	Sealing Clamp
8	35923	Clamp
Item Not Shown:		
—	36223	12 Pin IDC Connector

NOTE: Parts Shown Are Identical Between microDrain and microReel Except When Noted As Different.