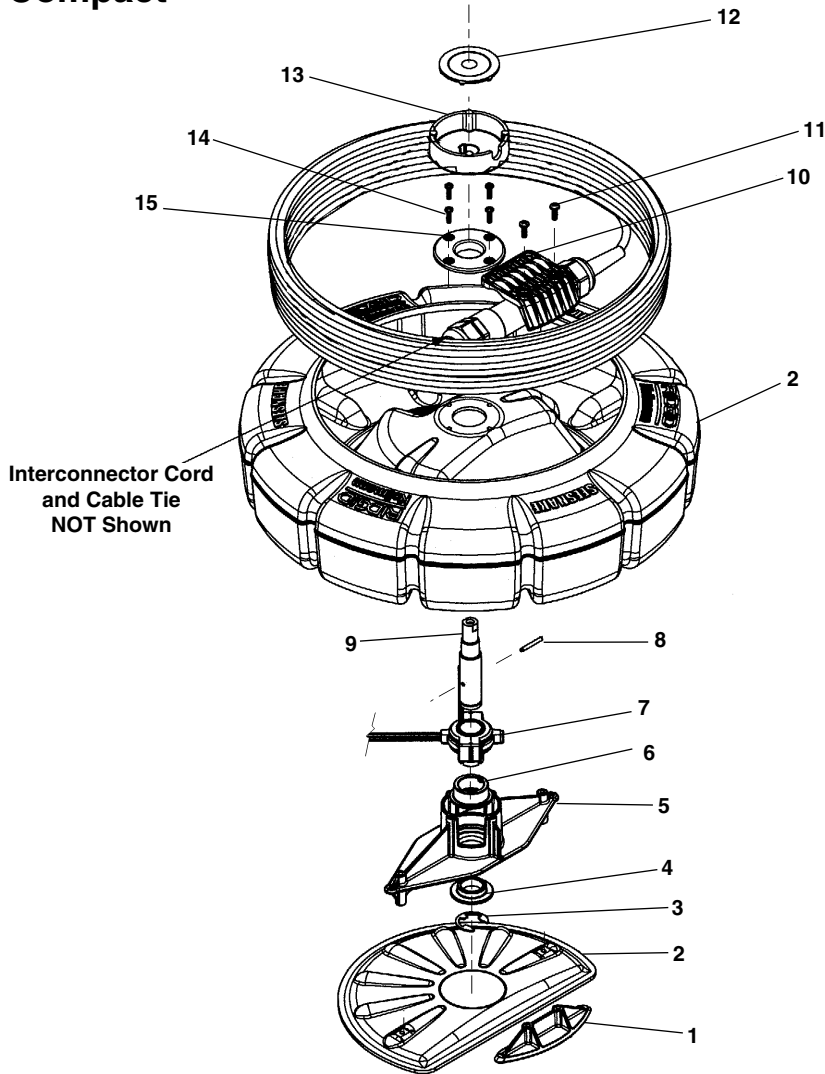


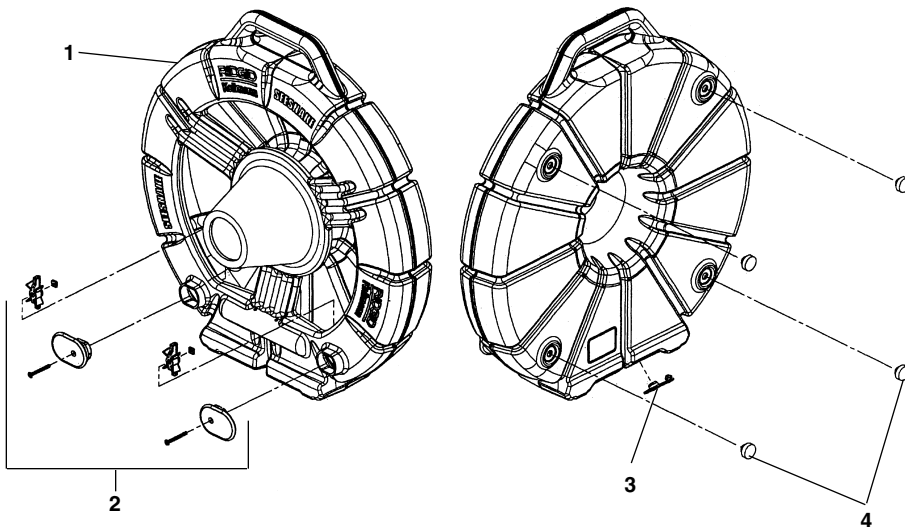
Compact



NOTE: Order parts by Catalog Number only. DO NOT order by Reference Number.

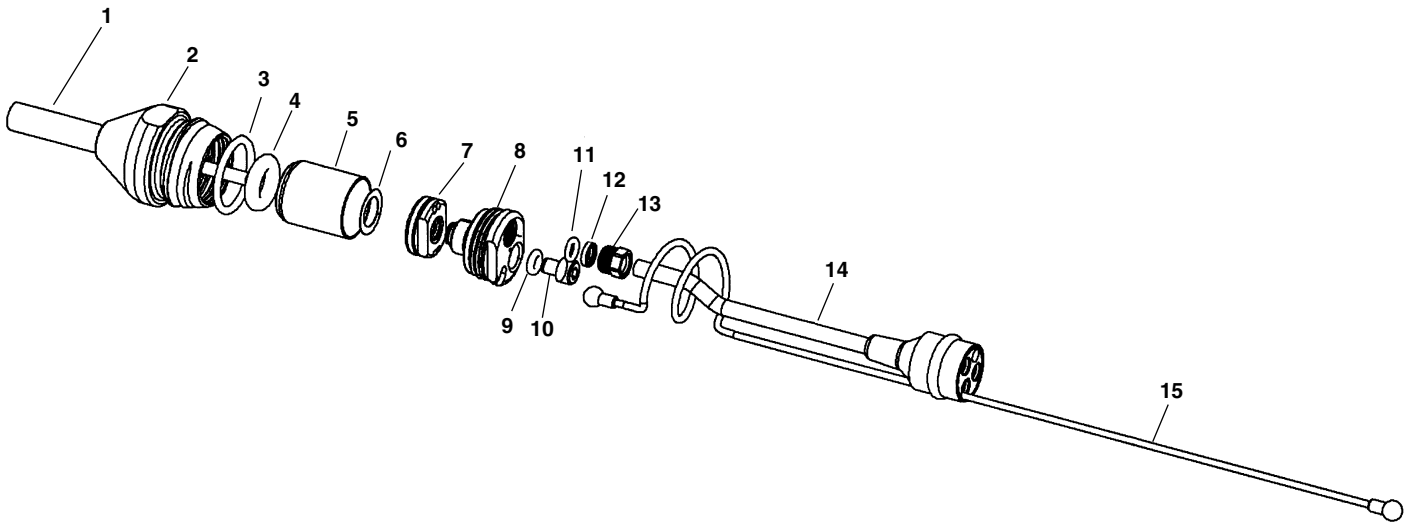
Ref. No.	Catalog No.	Description
1	97162	Tube Mount Base
2	97107	Compact Drum
3	97147	Retaining Ring
4	97127	Bottom Axle Radial Bushing
5	97117	Bottom Hub
6	97122	Bottom Axle Thrust Bush
7	97142	Slip Ring Assembly
8	97152	1/8" x 1" Dowel Pin
9	97112	Frame Axle
10	97157	Tube Mount
11	97172	#8 x 1/2" Screw (2)
12	97167	Axle Support
13	97137	Top Axle Bushing
14	97177	#6 x 1/2" Screw
15	97132	Top Hub

FlatPack



Ref. No.	Catalog No.	Description
1	97182	FlatPack Drum
2	97627	Cord Wrap Asm (COLOR)
	97197	Cord Wrap Asm (B&W)
3	97207	Drain Plug
4	14008	Rubber Feet (4)
Not Shown		
	97202	Label Set (B&W)
	97632	Label Set (COLOR)

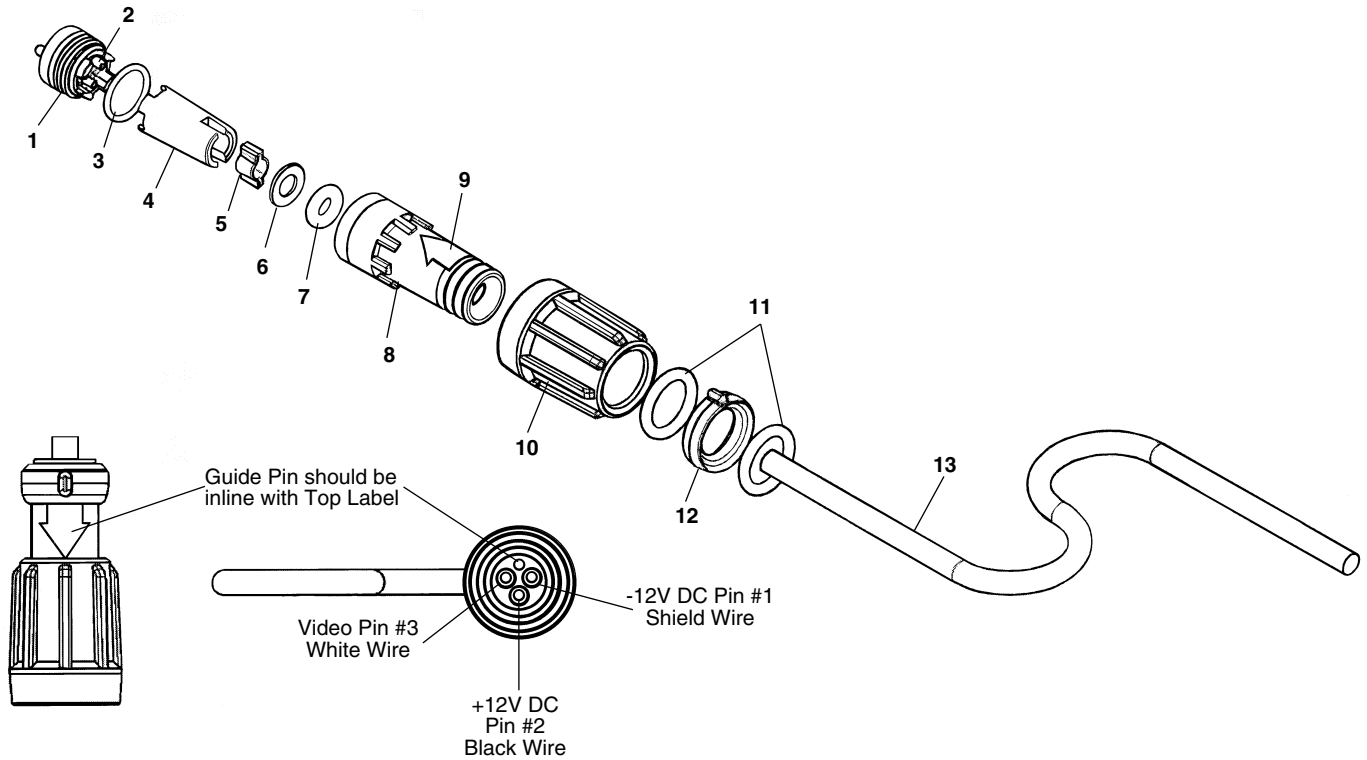
Compact/FlatPack SeeSnake Wet End Termination: Exploded View



**NOTE: Order parts by Catalog Number only.
DO NOT order by Reference Number.**

Ref. No.	Catalog No.	Description
1	18758	Raw Push Cable
2	18763	Spring Shell
3	18768	O-Ring
4	18773	O-Ring
5	18778	O-Ring Cap
6	18793	Spring Washer
7	18783	Push Nut
8	18788	Termination Plug
9	18828	O-Ring
10	18803	Screw
11	18798	O-Ring
12	18808	Back Up Ring
13	18813	Seal Screw
14	18818	Cord Assembly
15	18823	Safety Cable
	18733	Re-termination Kit Includes Ref. Nos 3,4,7,8,9,11,12
		Items Not Shown
	20263	Color Compact Spring Assembly
	20268	B&W Compact Spring Assembly
	20273	Locking Sleeve
	20278	Retaining Ring
	20283	Connector w/Ball Hole
	20288	Connector Minus Ball Hole

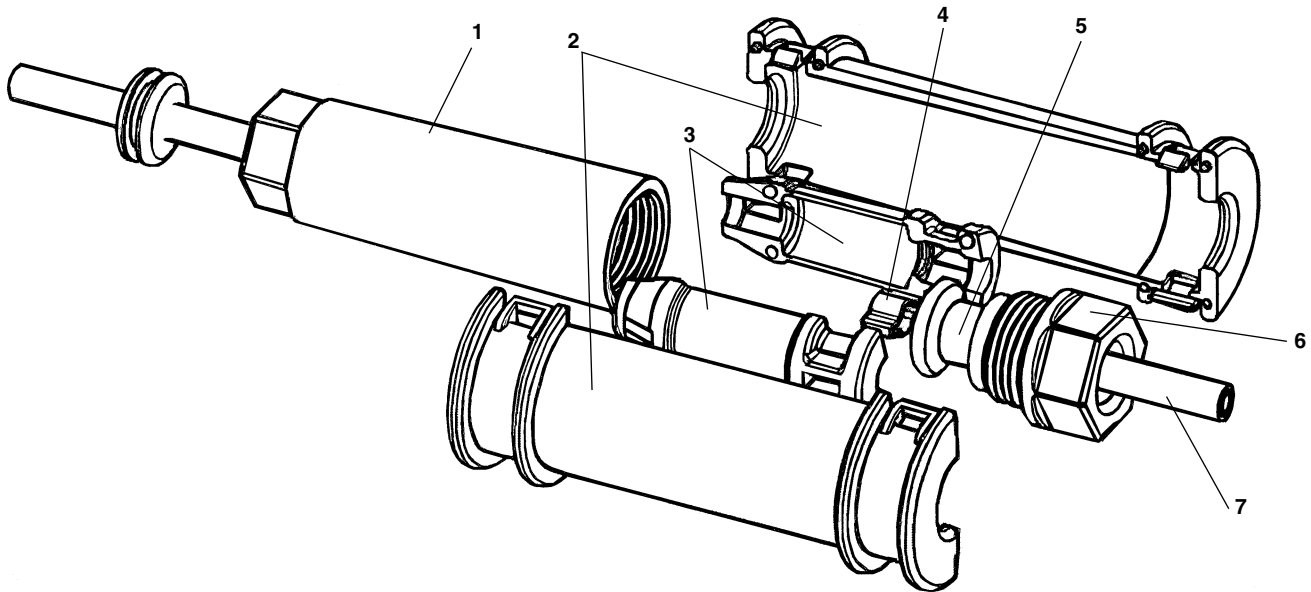
FlatPack SeeSnake Dry End Termination/Interconnect Cord: Male End



**NOTE: Order parts by Catalog Number only.
DO NOT order by Reference Number.**

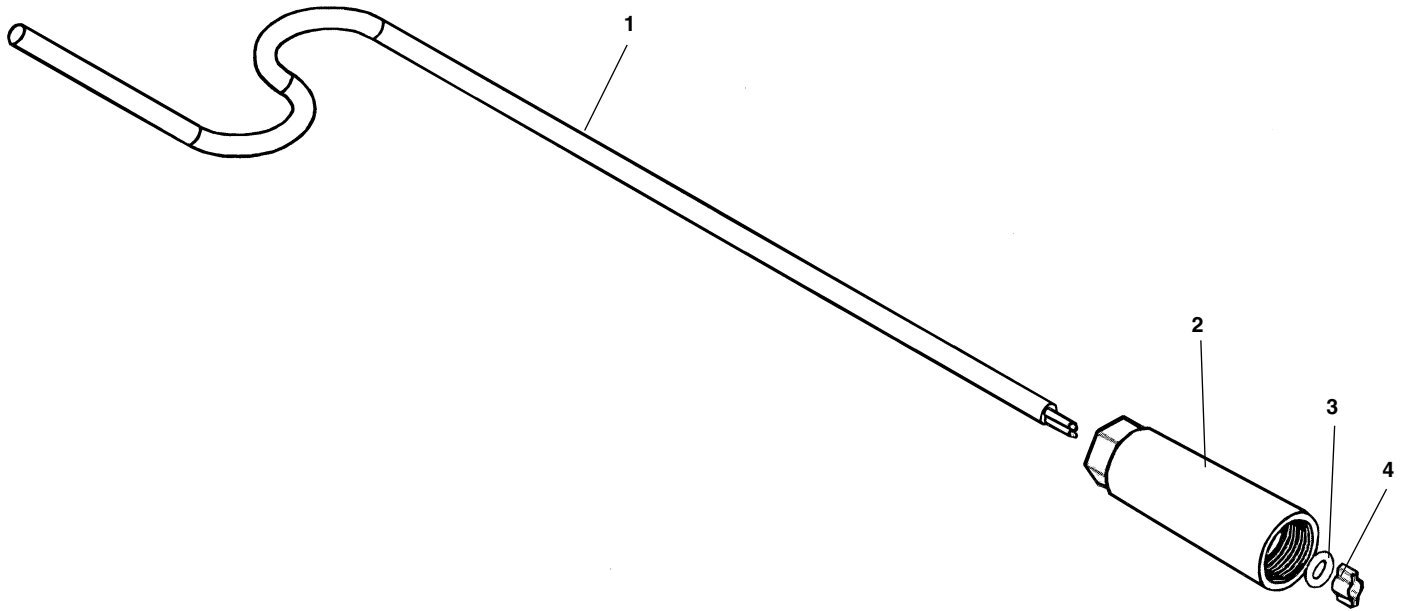
Ref. No.	Catalog No.	Description
1	71612	Male Insert
2	18863	Shrink Tube
3	18868	O-Ring
4	71597	Internal Shell
5	71607	Clamp
6	18873	Washer
7	18773	O-Ring
8	71592	Inline Shell
9	18878	Top Label
10	71602	Locking Sleeve
11	18883	O-Ring (2)
12	18888	Index Band
13	18893	Raw Cable

Compact/FlatPack SeeSnake Dry End Termination: Exploded View



**NOTE: Order parts by Catalog Number only.
DO NOT order by Reference Number.**

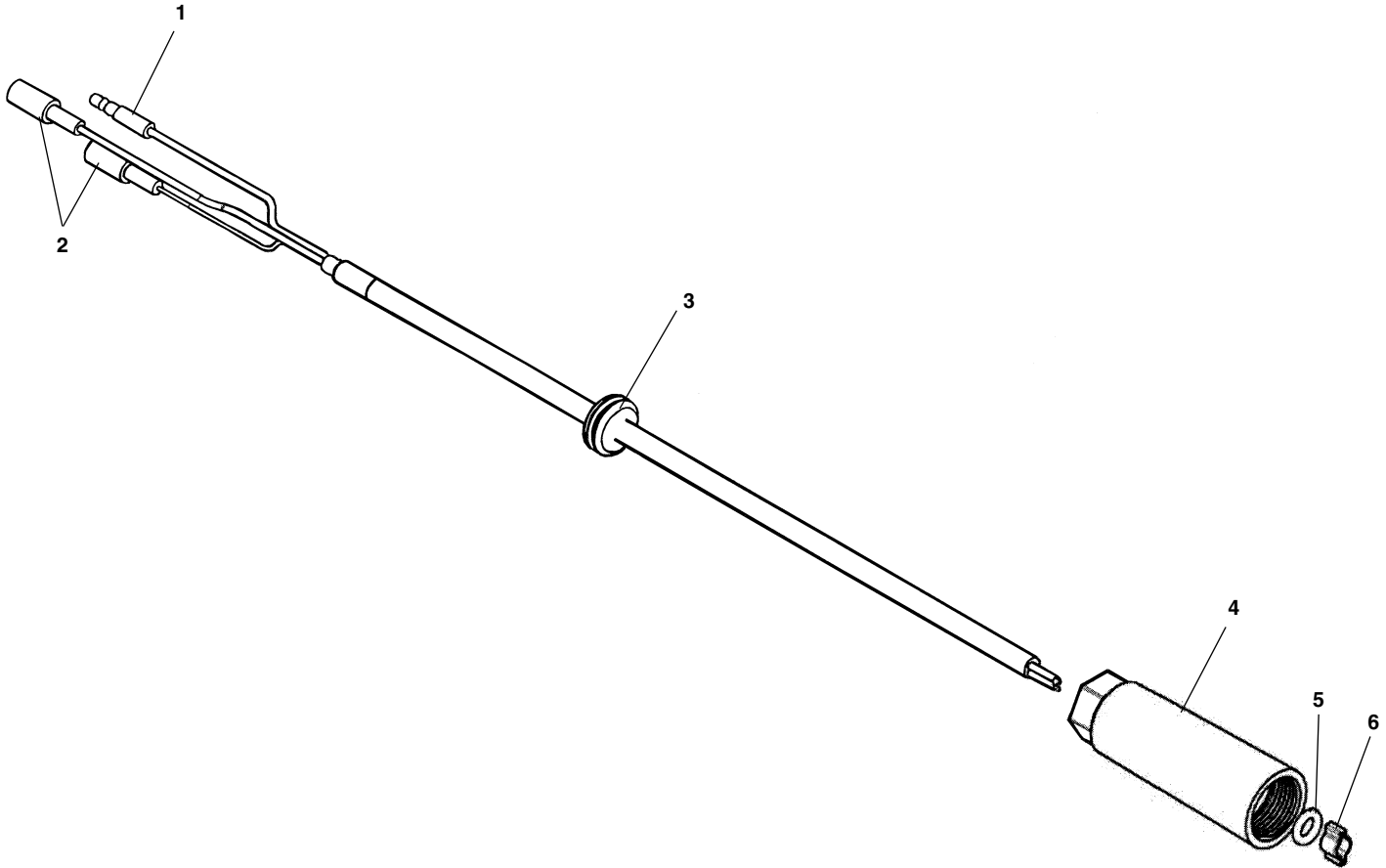
<u>Ref. No.</u>	<u>Catalog No.</u>	<u>Description</u>
1	18833	Compact Whip Assembly
	18838	FlatPack Cord Assembly
2	18843	Adapter
3	18848	Compact Inner Clam Shell
4	71607	Clamp
5	18853	Seal
6	18858	End Nut
7	18758	Raw Push Cable

FlatPack SeeSnake Dry End Termination/Interconnect Cord: Termination End

**NOTE: Order parts by Catalog Number only.
DO NOT order by Reference Number.**

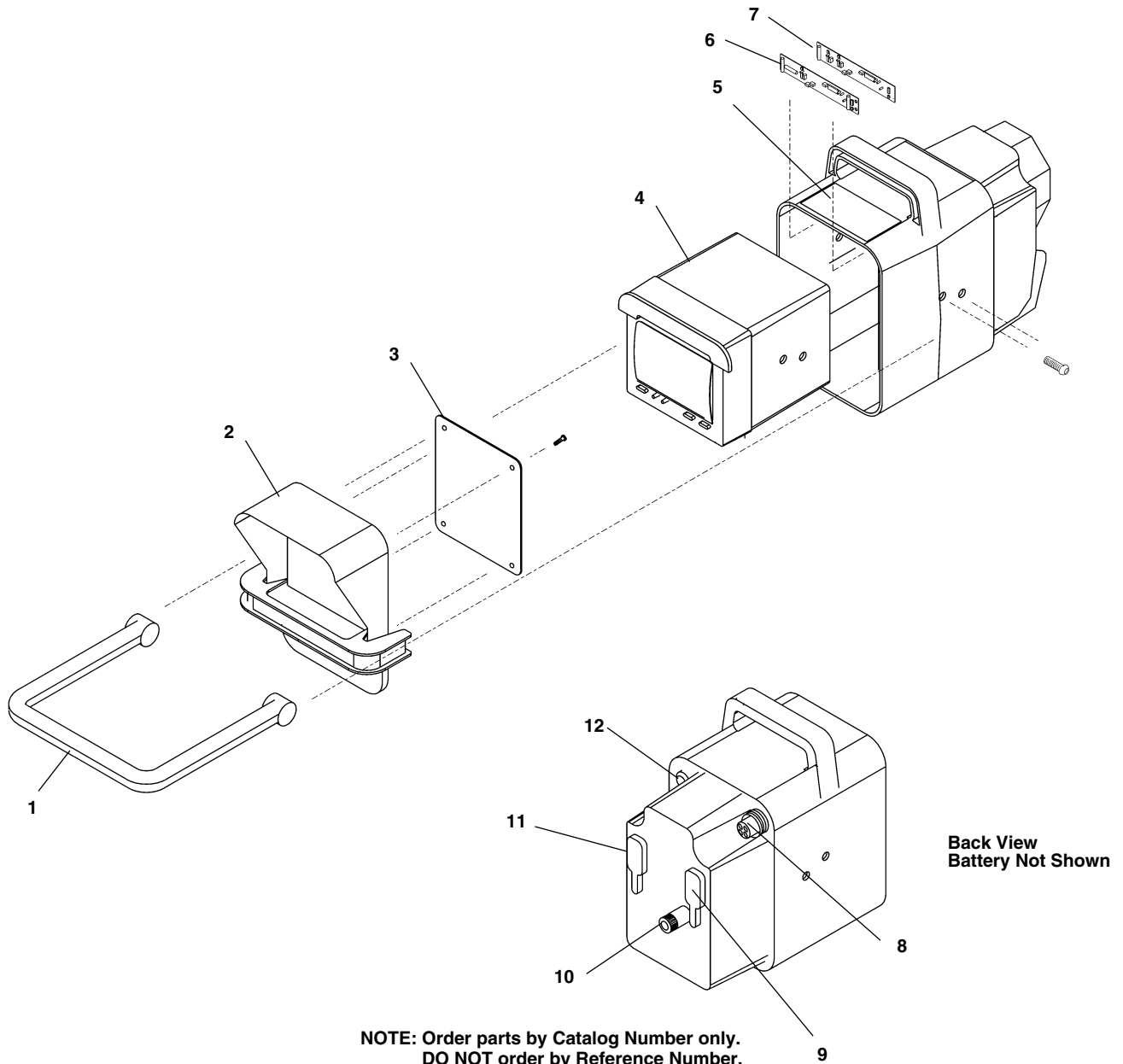
Ref. No.	Catalog No.	Description
1	18893	10 ft. Raw Cable
2	18898	Main Shell
3	18903	O-Ring
4	71607	Clamp

Compact SeeSnake Whip Assembly



**NOTE: Order parts by Catalog Number only.
DO NOT order by Reference Number.**

Ref. No.	Catalog No.	Description
1	18908	Male Bullet Connector
2	18913	Female Bullet Connector
3	18918	Grommet
4	18898	Main Shell
5	18903	O-Ring
6	71607	Clamp

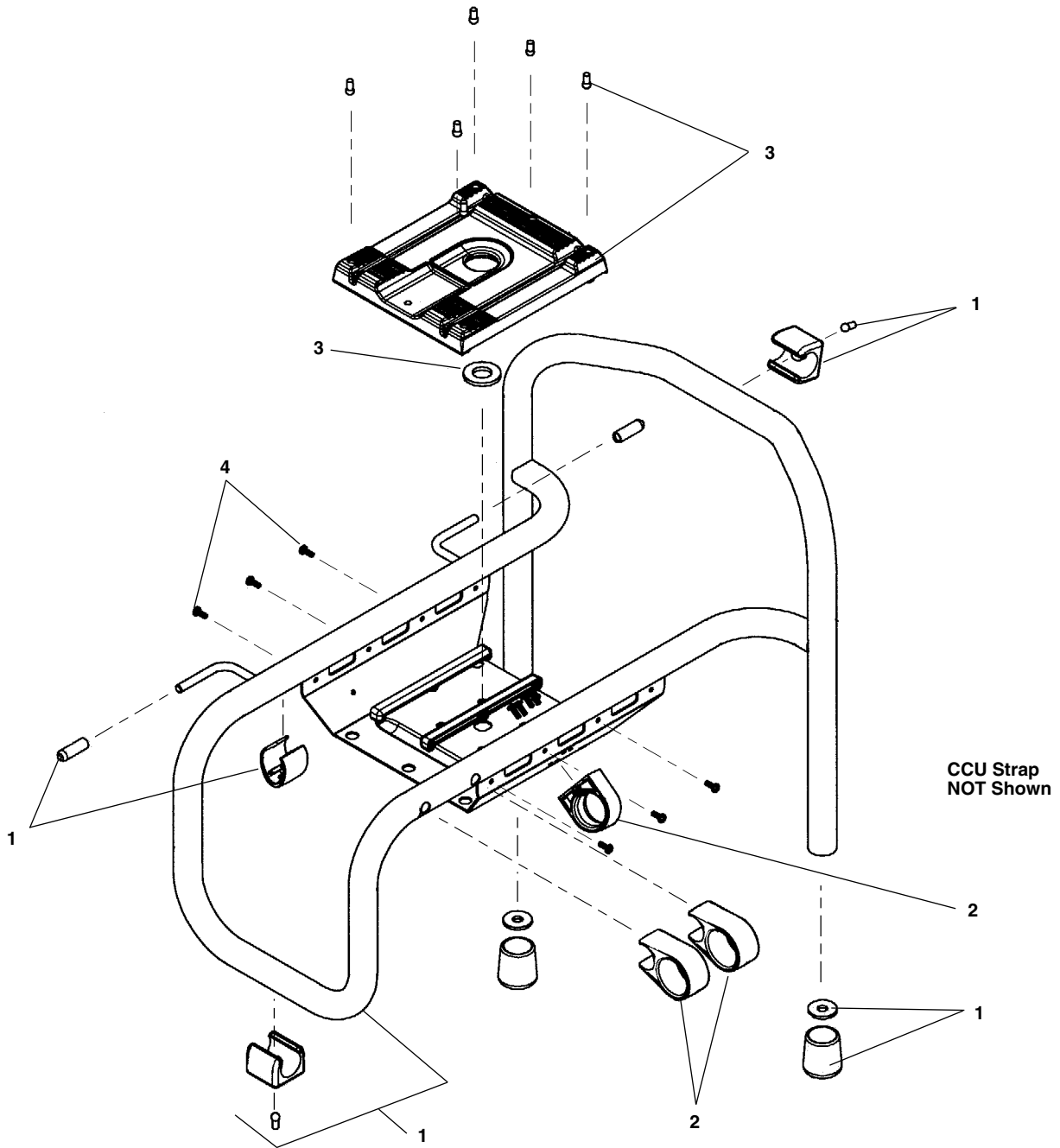


**NOTE: Order parts by Catalog Number only.
DO NOT order by Reference Number.**

Ref. No.	Catalog No.	Description
1	97667	Kickstand w/Handle Asm.
2	97657	Monitor Lid (B&W)
	97662	Monitor Lid (COLOR)
3	97672	Monitor Window Kit
4	97637	Monitor (B&W) EIA
	97642	Monitor (B&W) CCIR
	97647	Monitor (COLOR) NTSC
	97652	Monitor (COLOR) PAL
5	97677	Monitor Case (B&W)
	97682	Monitor Case (COLOR)
6	97707	Compact Power Board Asm
7	97712	Connector Board (Small Board)
8	77307	Bulkhead Connector
9	97697	Dust Cover (Black)
10	97717	Ground Post
11	97692	Dust Cover (Orange)
12	97702	Power Switch Asm
Not Shown		
	97722	Ground Post Cable
	83407	14.4V Battery
	95722	AC Adapter (115V)
	95727	AC Adapter (230V)

NOTE: All Monitors Include Labels

Frame



**NOTE: Order parts by Catalog Number only.
DO NOT order by Reference Number.**

Ref. No.	Catalog No.	Description
1	97062	Frame Assembly w/Feet
2	97072	Cable Guide Set
3	97067	Monitor Pad Assembly
4	97082	Monitor Strap Hardware Assy.
Not Shown		
	97077	Monitor Strap