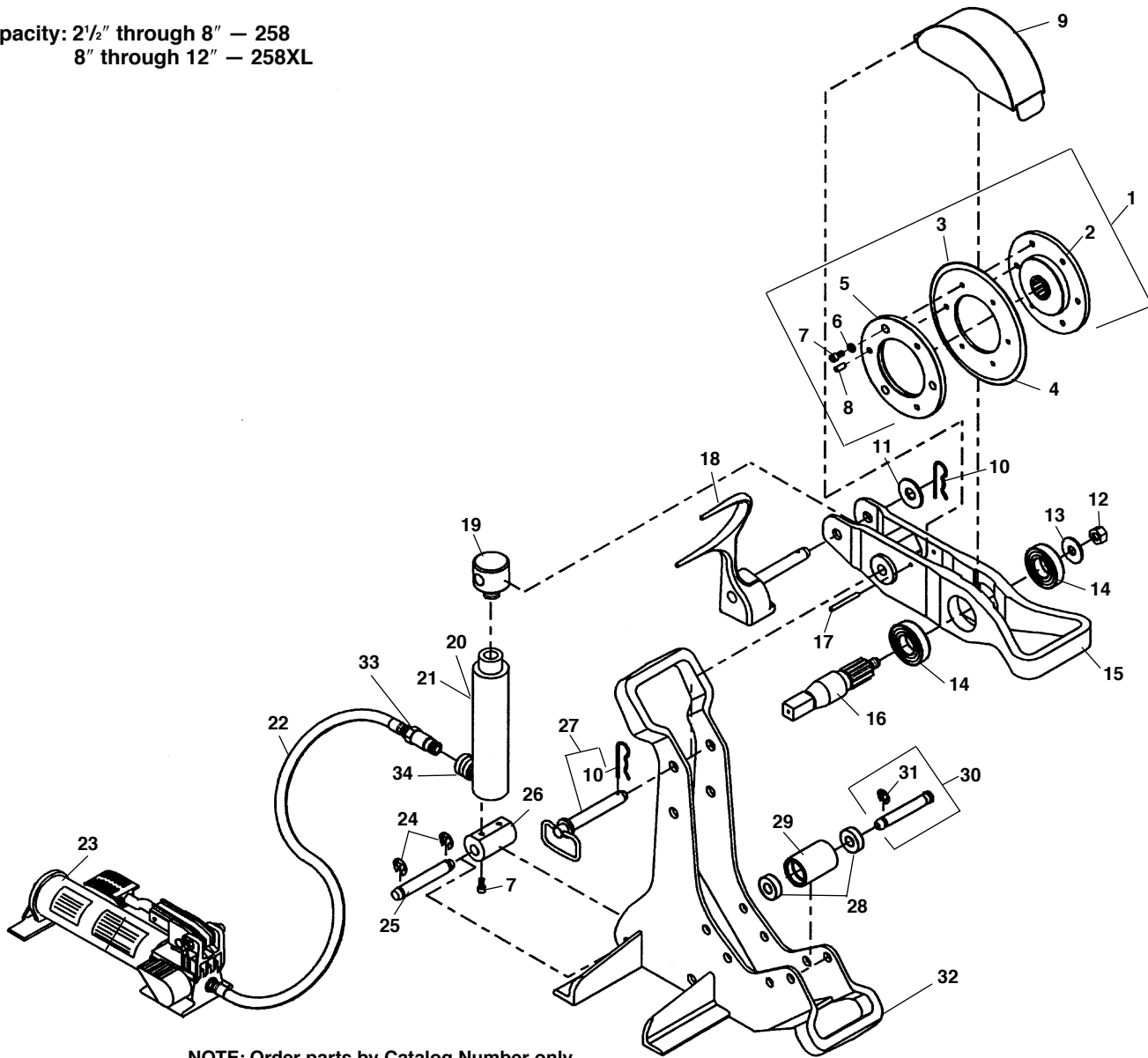


**Frame**

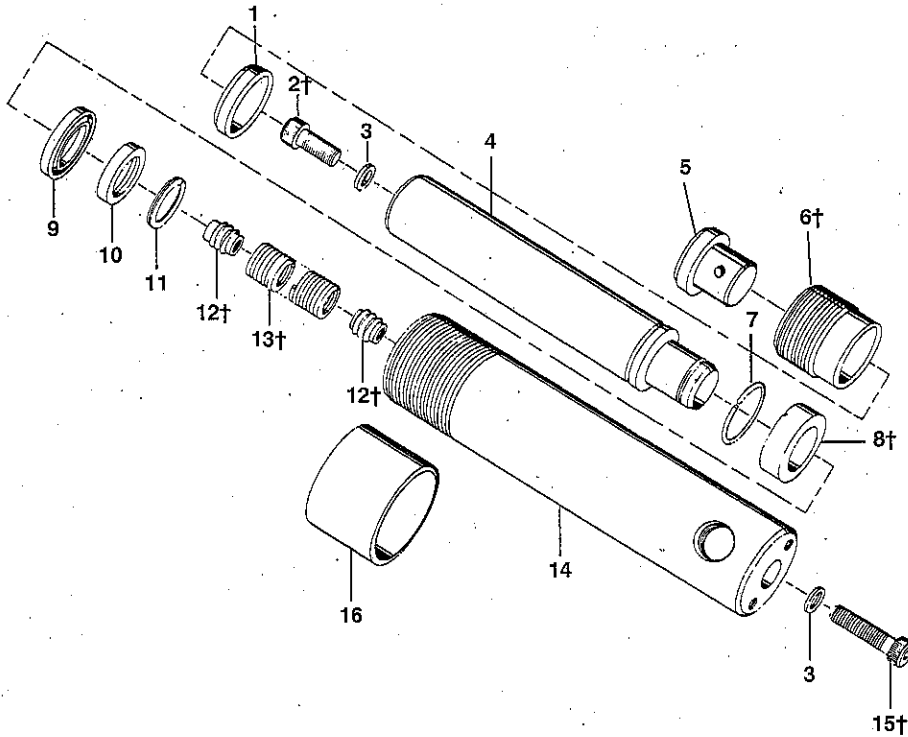
Capacity: 2½" through 8" — 258  
8" through 12" — 258XL



**NOTE: Order parts by Catalog Number only.  
DO NOT order by Reference Number.**

Ref. No.	Catalog No.	Description	Ref. No.	Catalog No.	Description
—	50767	258 Pipe Cutter	18	50882	Reaction Arm (258)
—	58227	258XL Pipe Cutter		58887	Reaction Arm (258XL)
1	66687	Cutter Wheel Assy. Std. Includes Ref. Nos. 2,3,5,6,7,8	19	50877	Top Clevis
2	50782	Hub w/Pins	20	59517	10 Ton Hyd. Cylinder
3	50812	Cutter Wheel Std.	21	62557	Repair Kit f/Cylinder
4	58222	Cutter Wheel – Thin	22	59507	Hydraulic Hose
5	50792	Cover Plate	23	59512	HF-32 Foot Pump Incl. Ref. No. 22
6	40770	Lock Washer 5/16" (5)	24	58850	E-Clip (2)
7	50997	Screw 3/16" x 3/4" (5)	25	54327	Bottom Clevis Pin
8	50787	Pins (3)	26	50867	Bottom Clevis
9	50777	Guard	27	50847	Hitch Pin w/Hairpin (258 Only)
10	50852	Hairpin Cotter (2)	28	44565	Ball Bearing (8)
11	60995	Flat Washer 3/4" (258XL Only)	29	50837	Roller
12	50797	Locking Nut	30	54887	Roller Pin (4)
13	41220	Flat Washer 5/8"	31	42580	E-Clips (8)
14	50802	Ball Bearing (2)	32	50842	Frame (258)
15	50807	Pivot Arm		58882	Frame (258XL)
16	50827	Drive Shaft	33	62552	Hose Half Coupler
17	27052	Roll Pin 1/4" x 2 1/8"	34	62547	Ram Half Coupler

**Single Acting/Spring Return/10 Ton Series**

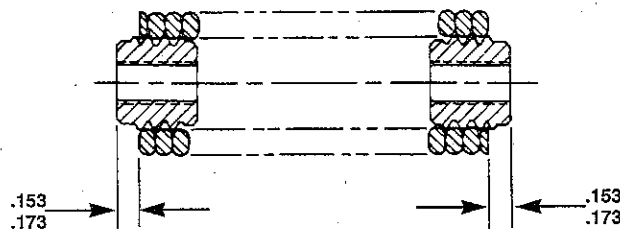


Ref. No.	Catalog No.	Description
—	50892	10 Ton Hyd. Cylinder
1*	50897	Rod Wiper
†2	50902	Screw 1/4"-20 x 3/8"
3*	50907	Copper Washer (2)
4	50912	Piston Rod
5	50917	Thread Adapter
†6	50922	Retainer Nut
7	50927	Retaining Ring
†8	50932	Piston Head
9*	50942	U-Cup Pistol Seal
10	50947	Slip Retainer
11*	50952	Retaining Ring
†12	50957	Spring Retainer
†13	50962	Extension Spring
14	50967	Cylinder Body
†15	50972	Screw 1/4"-20 x 3 1/2"
16	50977	Thread Protector
—	50982	Repair Kit
—	50987	Ram Half Coupler
—*	50992	Warning Decal

Items marked with an asterisk (\*) are in repair kit.  
 †See Service Notes

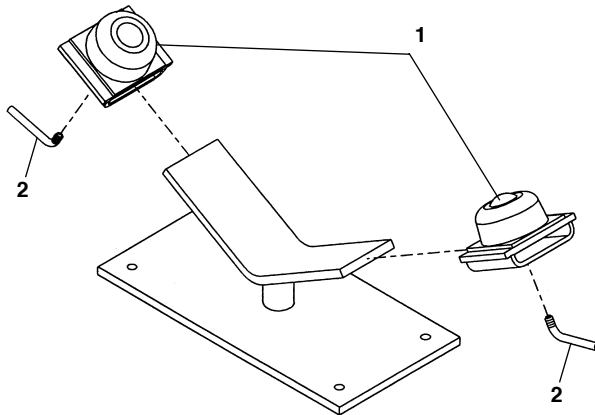
**SERVICE NOTES**

Ref. No.	Dimensions	Torque Specifications	Notes
2	1/4"-20 x 3/8	100 in. Lbs.	
6		45 in. Lbs.	Appearance may vary from illustration.
8			Assemble with groove towards shoulder.
12, 13			Spring must not extend beyond ends of spring retainer. Stretch, clean and lubricate before assembly. See diagram below.
15	1/4"-20 x 3 1/2	100 in. Lbs.	



Refer to the Operator's Manual that accompanies this product for detailed information regarding safety, set-up, operation, maintenance, accessories and troubleshooting.  
 Address additional inquiries to THE RIDGE TOOL COMPANY, ATTN: TECHNICAL SERVICE DEPARTMENT, 400 CLARK STREET, ELYRIA, OH 44036-2023

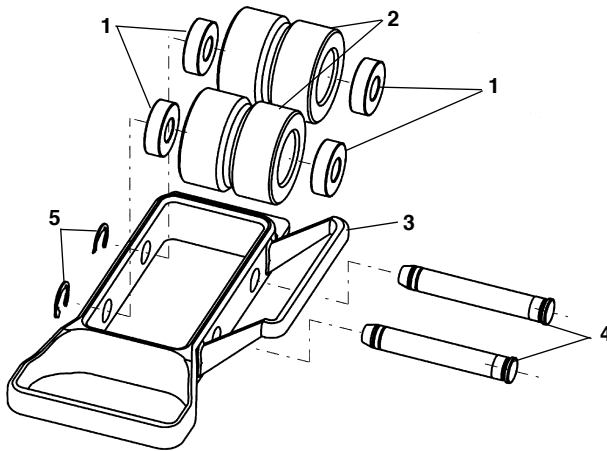
**Pipe Support Assembly**



**NOTE: Order parts by Catalog Number only. DO NOT order by Reference Number.**

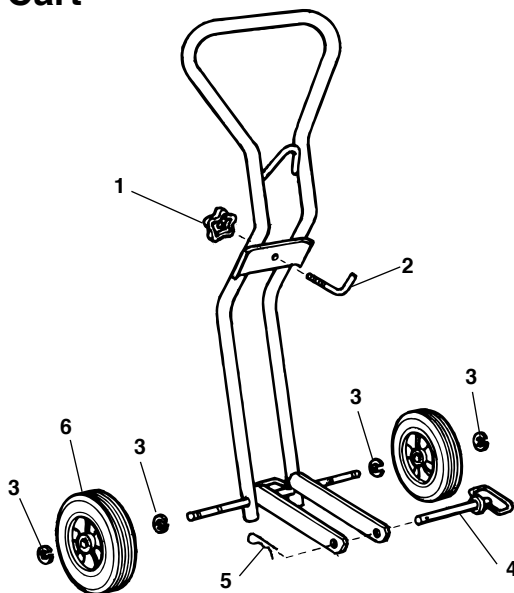
Ref. No.	Catalog No.	Description
—	60002	Pipe Support Assembly
1	60007	Ball Transfer Head Set (Includes Ref. No. 2)
2	60012	Locking Rod

**Pipe Roller Attachment**



Ref. No.	Catalog No.	Description
—	61757	Pipe Roller Attachment
1	44565	Ball Bearing (4)
2	62447	Roller (2)
3	62452	Frame – Pipe Roller
4	54887	Roller Pin w/Clip (2)
5	42580	Pkg. of 5 E-Clips

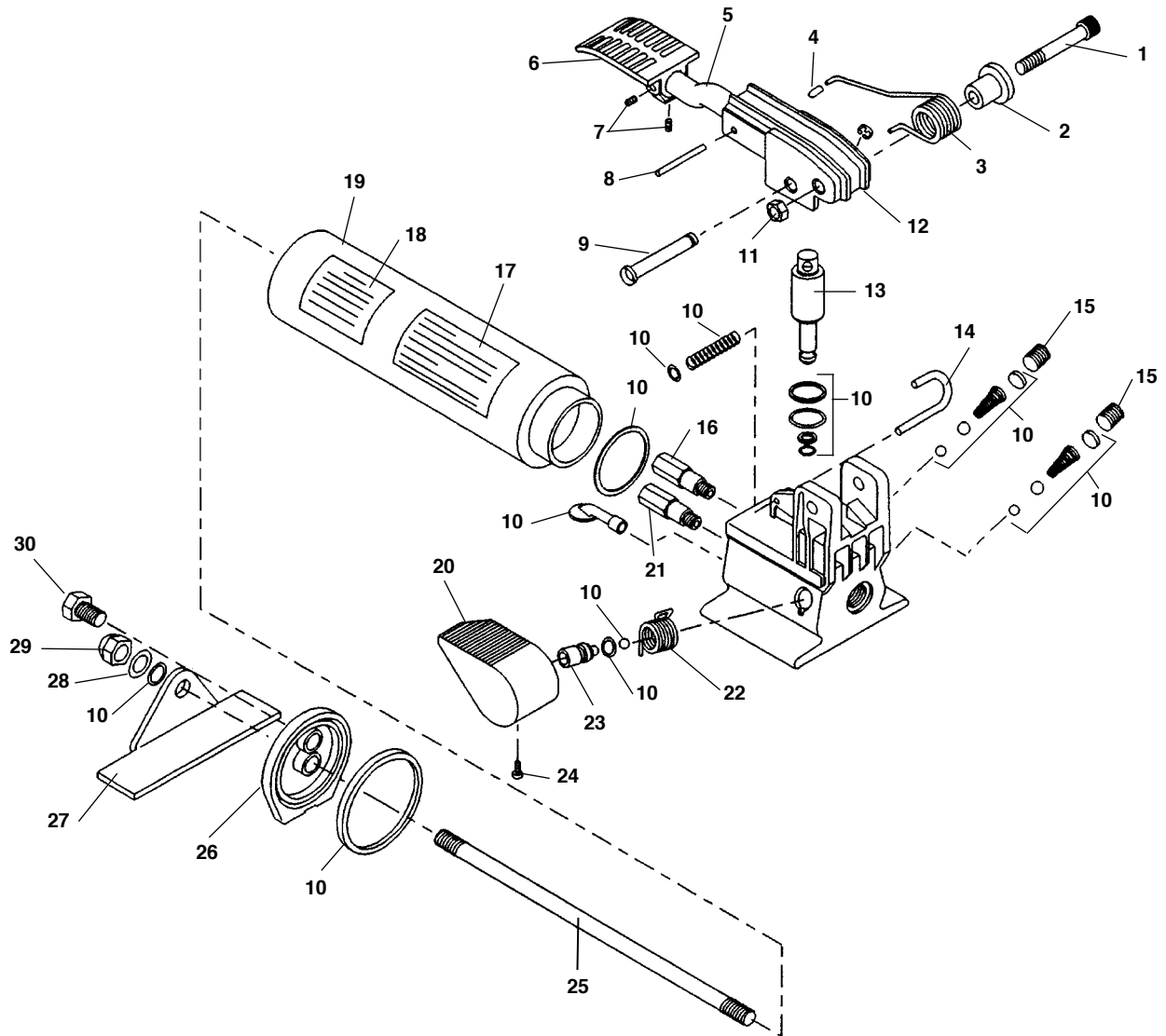
**Transport Cart**



Ref. No.	Catalog No.	Description
—	54397	Transport Cart
1	54897	Knob
2	62642	Latch Bolt
3	42580	Pkg. of 5 E-Clips
4	50847	Hitch Pin w/Hairpin
5	50852	Hairpin Cotter
6	93325	Wheel (2)



**Hydraulic Foot Pump, HF 32**



**NOTE: Order parts by Catalog Number only.  
DO NOT order by Reference Number.**

Ref. No.	Catalog No.	Description	Ref. No.	Catalog No.	Description
—	59512	HF32 Foot Pump	16	63752	By-Pass Valve
1	63767	Socket Head Capscrew	17	62572	Decal, HF32 Instruction
2	63777	Spacer	18	62567	Decal, HF32/Logo
3	63772	Torsion Spring	19	63687	Reservoir
4	63787	Cap	20	63727	Release Foot Pedal
5	63802	Foot Pedal Shaft	21	63757	Relief Valve Assembly
6	63792	Pedal	22	63722	Release Spring
7	63797	Pkg. of 2 Set Screw	23	63737	Valve Spindle
8	63807	Pin	24	63732	Screw
9	63762	Cross Pin w/Ret. Ring	25	63692	Tie Rod
10	63657	HF32 Repair Kit	26	63697	End Cap
11	63782	Hex Nut	27	63702	Reservoir Support
12	63812	Foot Pedal	28	63717	Pkg. of 2 Washers
13	63817	Plunger Assembly	29	63707	Acorn Nut
14	63747	Locking Pin	30	63712	Plug
15	63742	Pipe Plug			