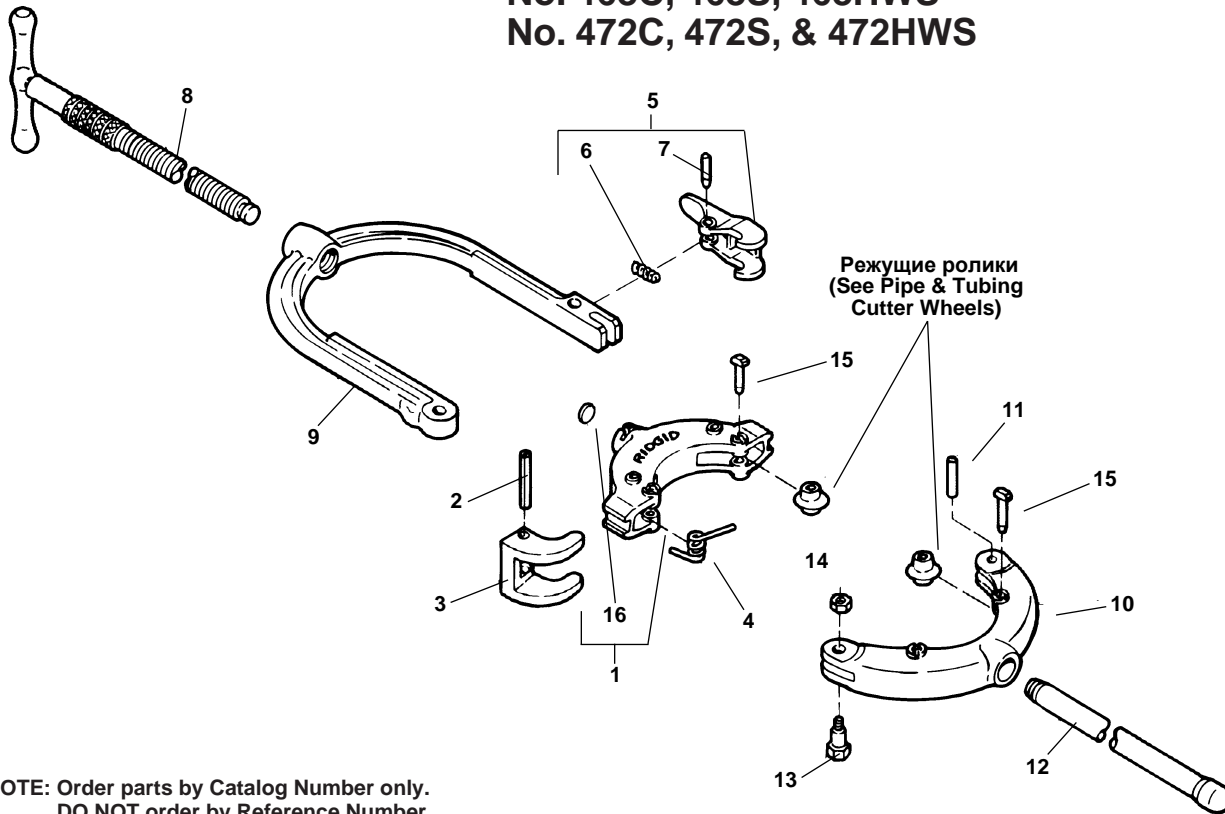


**Модели замковых труборезов: No. 466C, 466S, 466HWS  
No. 468C, 468S, 468HWS  
No. 472C, 472S, & 472HWS**

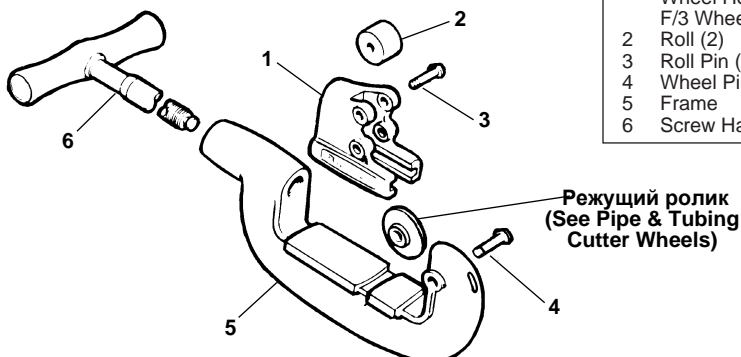


NOTE: Order parts by Catalog Number only.  
DO NOT order by Reference Number.

	466 4"-6"	468 6"-8"	472 8"-12"
Ref. No.	Catalog No.	Catalog No.	Catalog No.
1	74690	74705	74715
2	83110	83110	83110
3	83105	83105	83105
4	83115	83115	83115
5	74695	74695	74695
6	83130	83130	83130
7	50307	50307	50307
8	83100	83100	83100

	466 4"-6"	468 6"-8"	472 8"-12"
Ref. No.	Catalog No.	Catalog No.	Catalog No.
9	83090	83155	83175
10	83095	83160	83180
11	34375	34375	34375
12	38585	38585	38585
13	83120	83120	83120
14	79985	79985	79985
15	34790	34790	34790
16	83135	83135	83135

**No. 1-A  
No. 2-A  
No. 202  
No. 2000A**



	1-A 1/8"-1 1/4"	2-A 1/8"-2"	202 1/8"-2"	2000A 1/8"-2"
Ref. No.	Catalog No.	Catalog No.	Catalog No.	Catalog No.
1	33765	33765	33400	39527
	34885	34885	—	—
2	34775	34775	34305	34775
3	34780	34780	34310	39537
4	34780	34780	34780	34780
5	33310	33305	33350	39522
6	33510	33505	33505	39532

**Поставщик в Россию и страны СНГ  
+7 (812) 331-37-51  
+7 (921) 936-02-07  
www.ridgid-piter.com  
spb@ridgid-piter.com**