



# Illustrated Parts List

## Model Series

# 124T00

TYPE NUMBERS  
0101 through 6952.

### TABLE OF CONTENTS

Air Cleaner .....	4
Alternator .....	5
Blower Housing .....	7
Blower Housing/Shrouds .....	6
Camshaft .....	2
Carburetor .....	3
Controls .....	5
Crankshaft .....	2
Cylinder .....	2
Electric Starter .....	7
Electrical .....	5
Engine Sump .....	2
Exhaust System .....	4
Flywheel .....	7
Flywheel Brake .....	5
Fuel Supply .....	4
Governor Spring .....	5
Ignition .....	5
Kits/Gaskets .....	2 & 3
Lubrication .....	2
Piston Group .....	2
Rewind Starter .....	7
Valves .....	2



PRINTED IN U.S.A.

COPYRIGHT by BRIGGS & STRATTON CORPORATION  
All rights reserved. No part of this material may be reproduced or transmitted, in any form or by any means, electronic or mechanical, including photocopying, recording or by any information storage and retrieval system, without permission in writing from Briggs & Stratton Corporation.

1319 WARNING LABEL



REQUIRED when replacing parts with warning labels affixed.

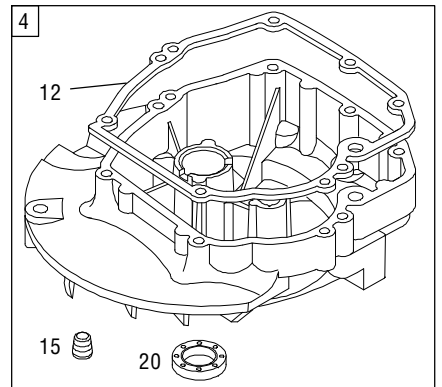
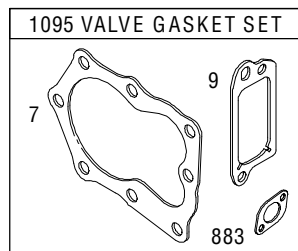
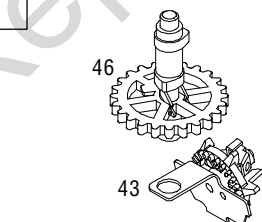
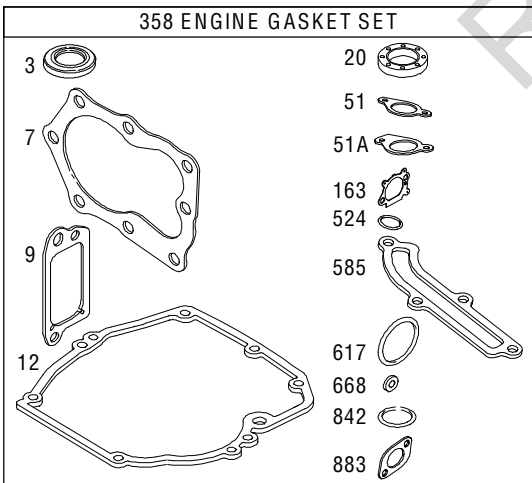
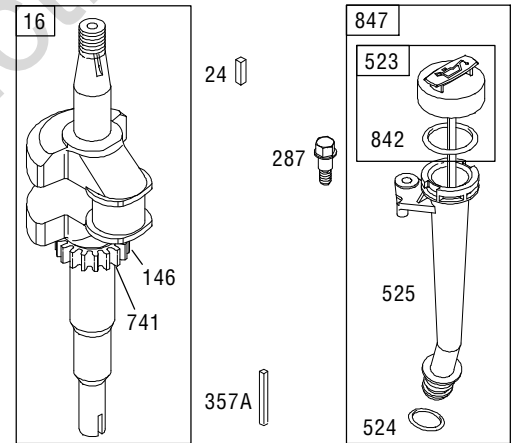
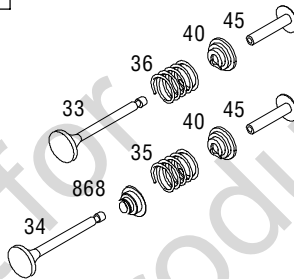
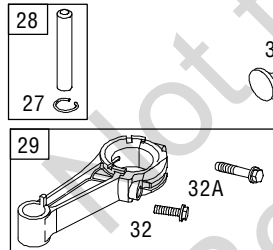
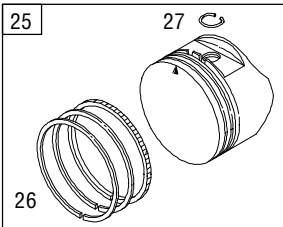
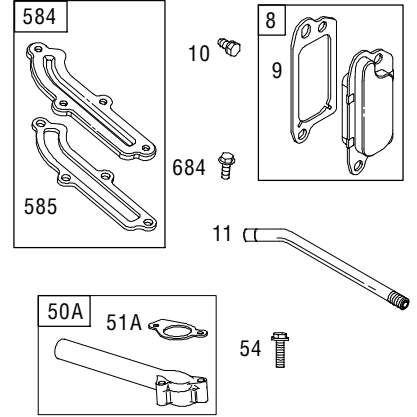
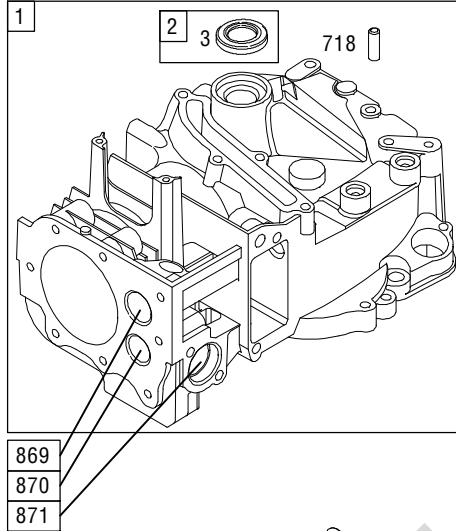
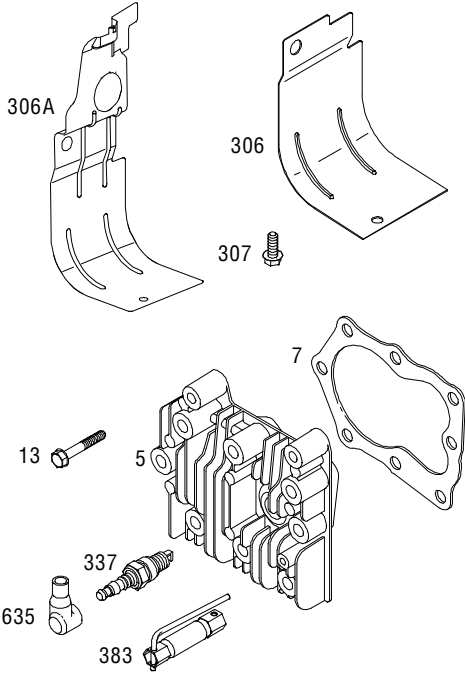
1058 OPERATOR'S MANUAL



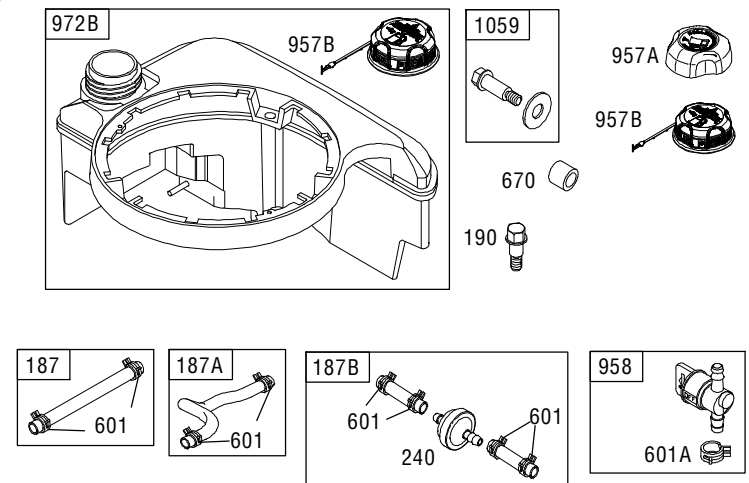
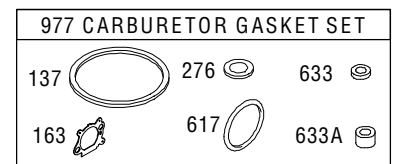
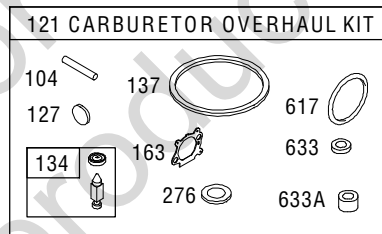
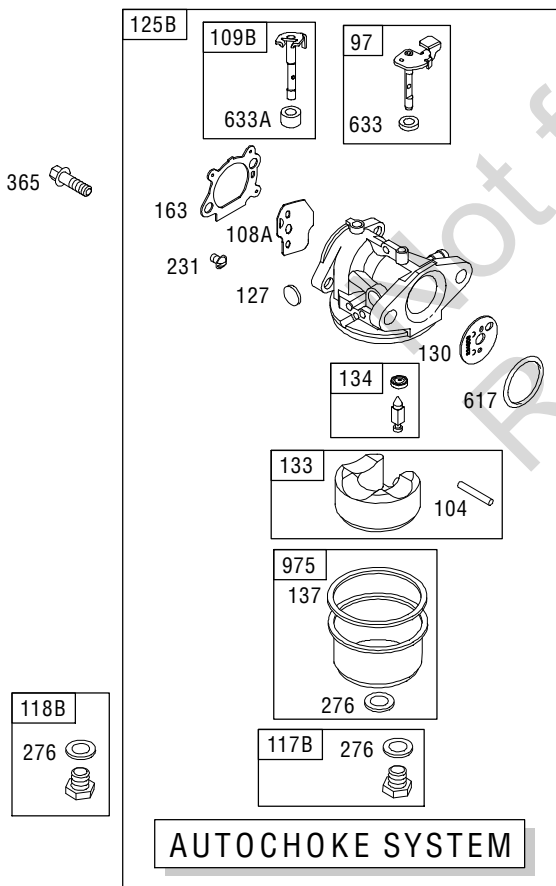
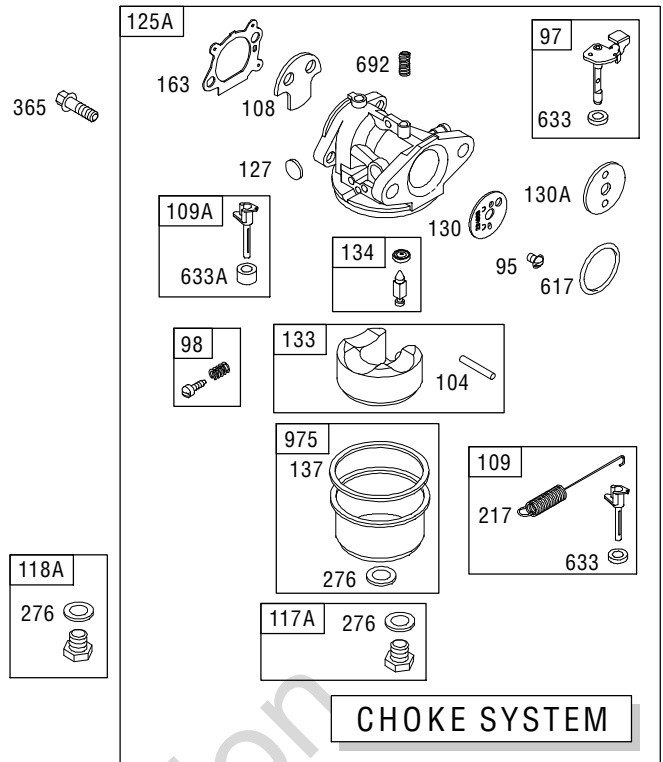
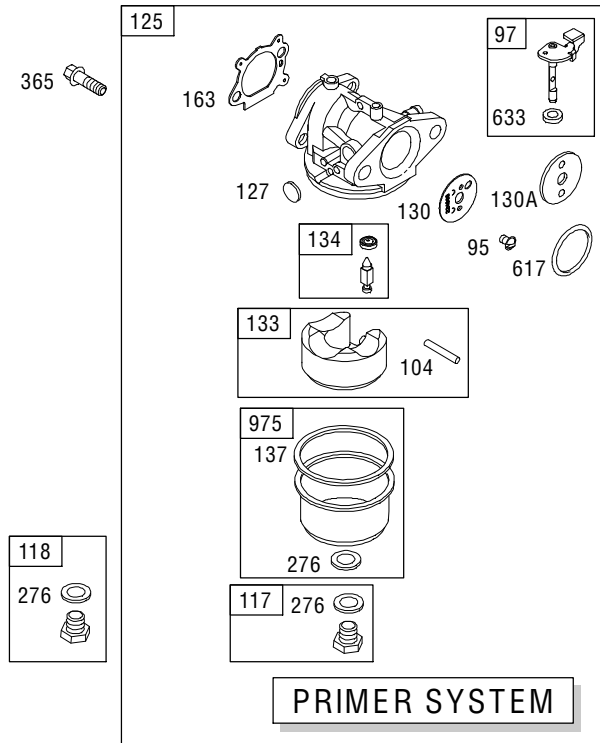
1330 REPAIR MANUAL



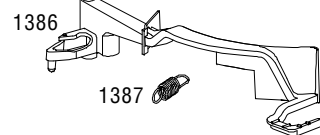
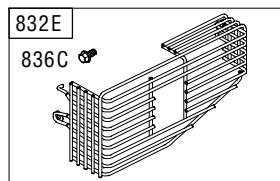
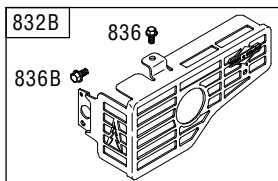
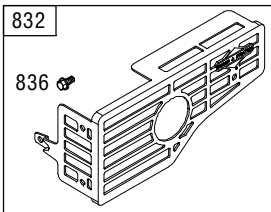
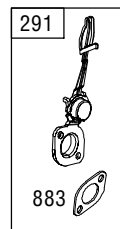
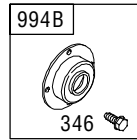
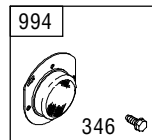
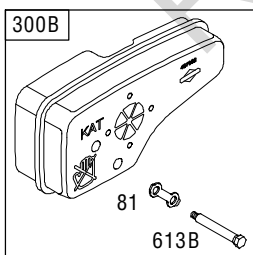
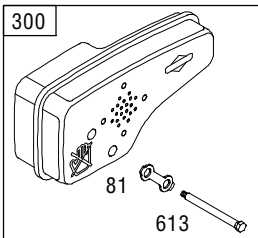
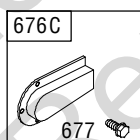
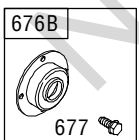
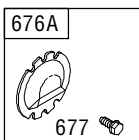
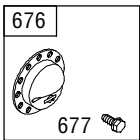
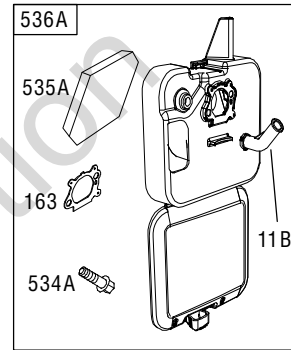
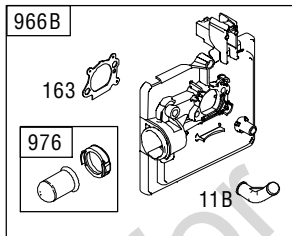
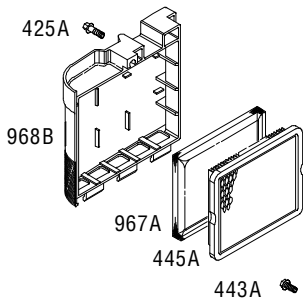
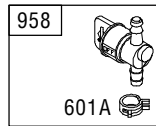
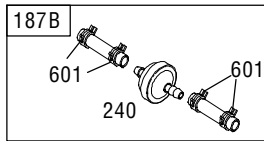
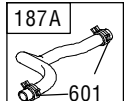
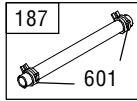
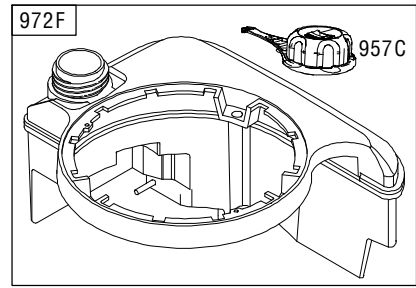
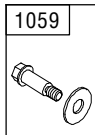
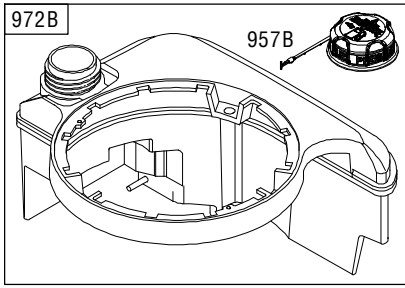
1019 LABEL KIT



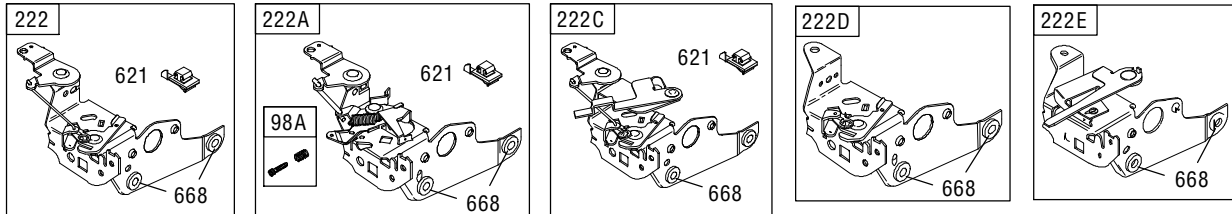
Illustrations cover a range of engines. Parts shown without corresponding text may not be used on your specific engine.  
3730-2 Assemblies include all parts shown in frames.



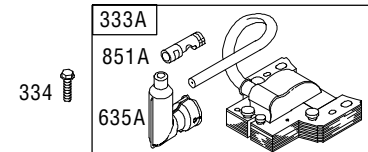
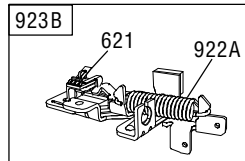
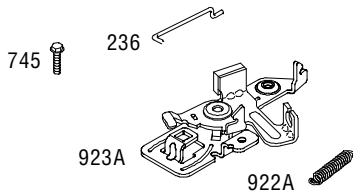
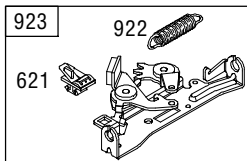
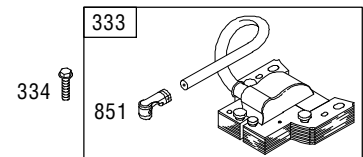
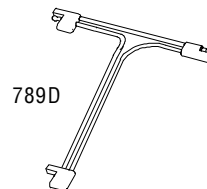
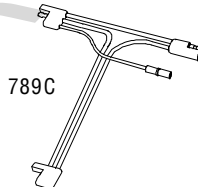
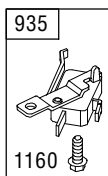
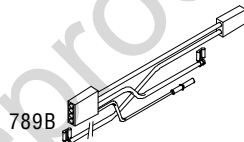
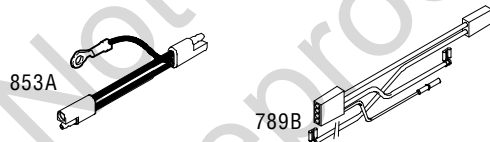
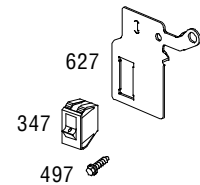
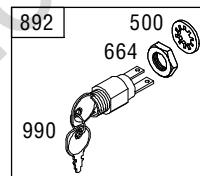
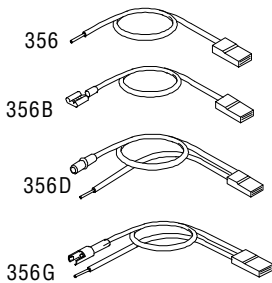
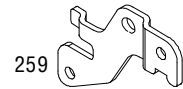
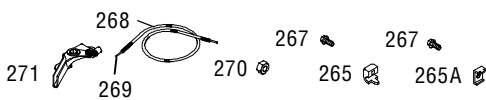
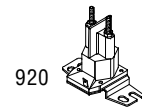
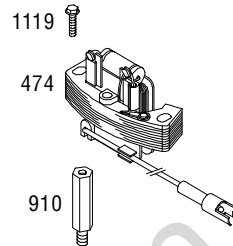
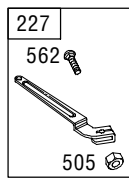
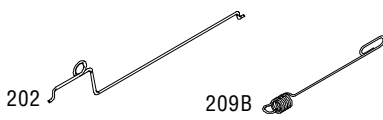
Illustrations cover a range of engines. Parts shown without corresponding text may not be used on your specific engine.  
 3730-3 Assemblies include all parts shown in frames.



Illustrations cover a range of engines. Parts shown without corresponding text may not be used on your specific engine.  
 3730-4 Assemblies include all parts shown in frames.

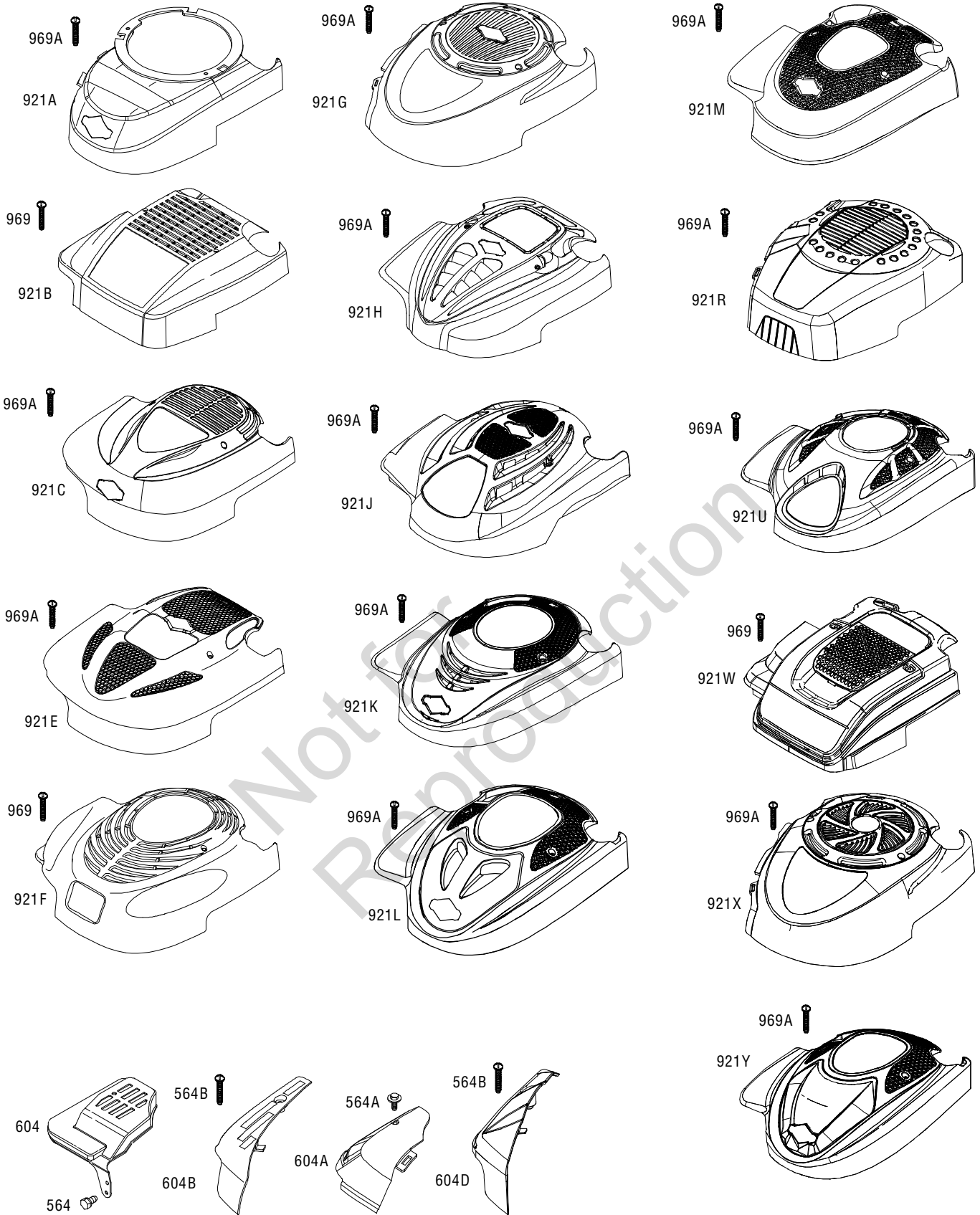


188 843 843A

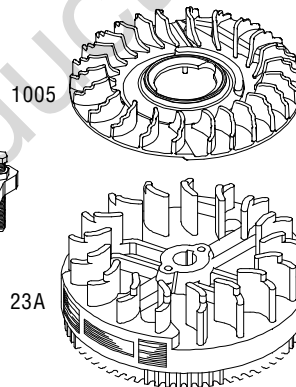
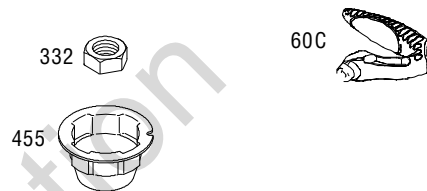
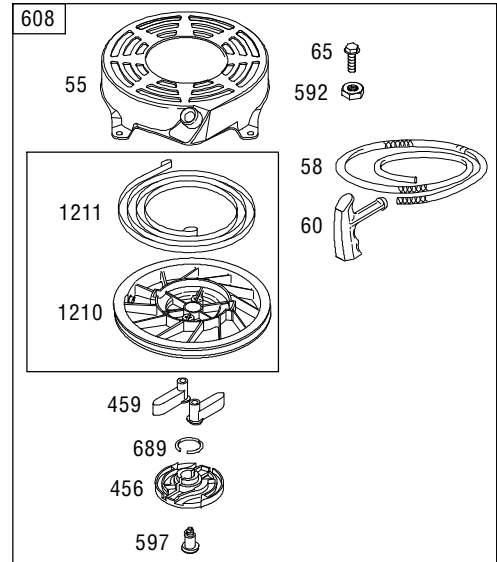
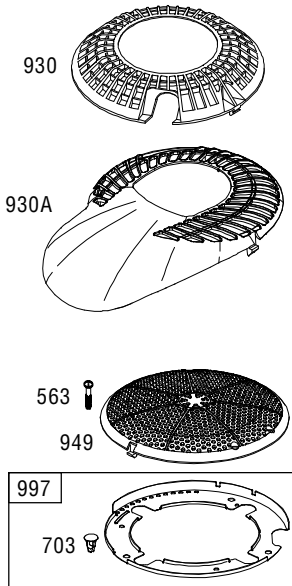
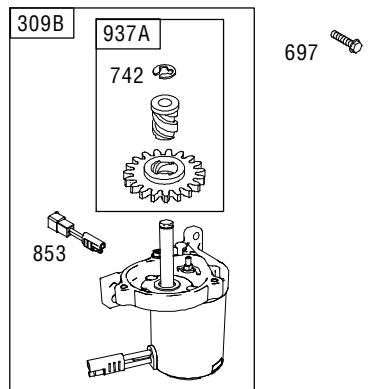
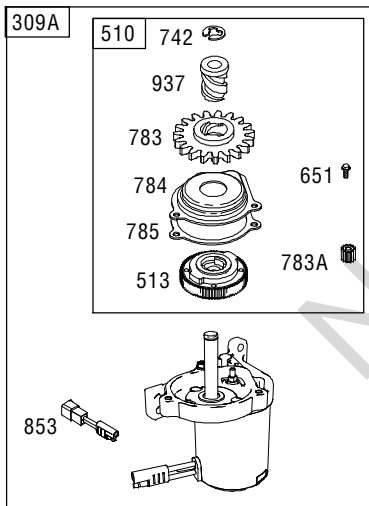
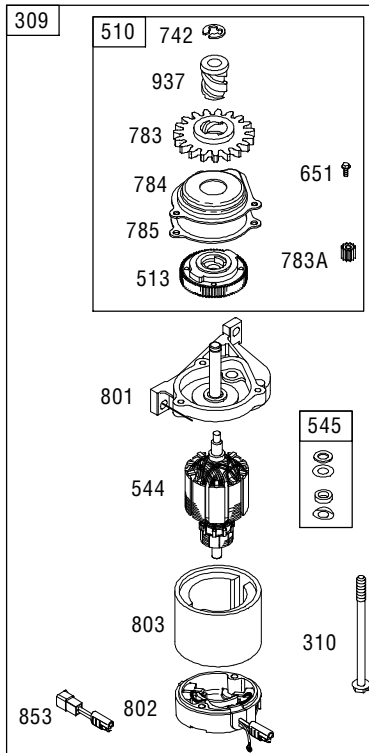


Illustrations cover a range of engines. Parts shown without corresponding text may not be used on your specific engine.  
3730-5 Assemblies include all parts shown in frames.

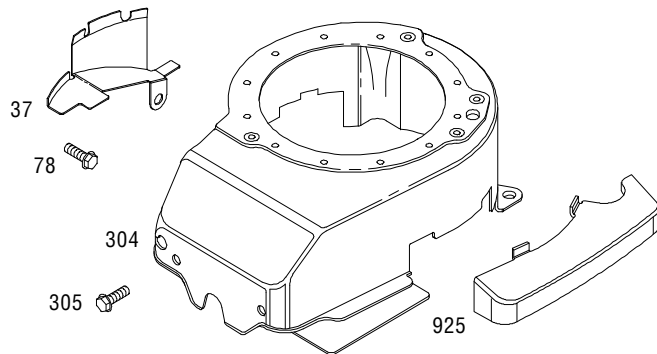
# 124T00



Illustrations cover a range of engines. Parts shown without corresponding text may not be used on your specific engine.  
 3730-6 Assemblies include all parts shown in frames. 11/01/2011



1036 EMISSIONS LABEL



Illustrations cover a range of engines. Parts shown without corresponding text may not be used on your specific engine.  
 3730-7 Assemblies include all parts shown in frames.

# 124T00

REF. NO.	PART NO.	DESCRIPTION	REF. NO.	PART NO.	DESCRIPTION	REF. NO.	PART NO.	DESCRIPTION
1	590401	Cylinder Assembly (Used After Code Date 11063000). ----- Note ----- 697322 Cylinder Assembly (Used Before Code Date 11070100).	7 K~	799875	Gasket-Cylinder Head (Used After Code Date 11063000). ----- Note ----- 692249 Gasket-Cylinder Head (Used Before Code Date 11070100).	11	691781	Tube-Breather
2	399269	Kit-Bushing/Seal (Magneto Side)	8	590395	Breather Assembly (Used After Code Date 11063000). ----- Note ----- 695250 Beather-Assembly (Used Before Code Date 11070100).	11B	691923	Tube-Breather
3	K299819S	Seal-Oil (Magneto Side)	9 K~	699472	Gasket-Breather (Used After Code Date 11063000). ----- Note ----- 699833 Gasket-Beather (Used Before Code Date 11070100).	12	K692232	Gasket-Crankcase
4	493279	Sump-Engine ----- Note ----- 498983 Sump-Engine Used on Type No(s). 0119, 0297, 0300, 1120, 1907, 1977, 4305.	10	691125	Screw (Breather Assembly)	13	590422	Screw (Cylinder Head) (Used After Code Date 11063000). ----- Note ----- 690912 Screw (Cylinder Head) (Used Before Code Date 11070100).
5	590411	Head-Cylinder (Used After Code Date 11063000). ----- Note ----- 691160 Head-Cylinder (Used Before Code Date 11070100).				15	691680	Plug-Oil Drain (Square Socket)

K Included in Engine Gasket Set-Ref. No.358.

D Included in Carburetor Overhaul Kit-Ref. No. 121.

z Included in Carburetor Gasket Set-Ref. No. 977.

Included in Valve Gasket Set-Ref. No 1095.

Illustrations cover a range of engines. Parts shown without corresponding text may not be used on your specific engine.

3730-8

Assemblies include all parts shown in frames.

11/01/2011



REF. NO.	PART NO.	DESCRIPTION	REF. NO.	PART NO.	DESCRIPTION	REF. NO.	PART NO.	DESCRIPTION	
16	691450	Crankshaft ----- Note ----- 691451 Crankshaft Used on Type No(s). 0105, 0128, 0133, 0134, 0135, 0136, 0137, 0138, 0140, 0142, 0143, 0147, 0148, 0159, 0162, 0163, 0171, 0172, 0174, 0175, 0177, 0178, 0179, 0186, 0187, 0192, 0200, 0201, 0207, 0220, 0221, 0226, 0229, 0236, 0238, 0241, 0244, 0246, 0252, 0302, 0307, 0309, 0455, 0464, 0486, 0567, 0611, 1115, 1728, 1729, 1772, 1773, 1778, 1779, 1780, 1782, 1905, 1923, 1946, 1950, 2042, 2048, 2049, 2050, 2109, 2110, 2112, 2113, 2115, 2177, 2635, 2636, 3174, 3302, 4048, 4049, 4159, 4162, 4163, 4164, 4172, 4174, 4178, 4259, 4567, 4611, 4635, 4778, 4923, 4950, 5133, 5147, 5178, 5187, 5207, 6115, 6162, 6163, 6164, 6172, 6174, 6220, 6226, 6236, 6241, 6246, 6259, 6302, 6567, 6602, 6607, 6635, 6644, 6650, 6659, 6675, 6778, 6782, 6923, 6950.			691452 Crankshaft Used on Type No(s). 0129, 0149, 0204, 0210, 0227, 0243, 0245, 0247, 0251, 0256, 0304, 0306, 0308, 0489, 1709, 1720, 1722, 1724, 1771, 1776, 1777, 1924, 1933, 1936, 1952, 1966, 1971, 1972, 1983, 2114, 2309, 2346, 2367, 2643, 4114, 4198, 4724, 4777, 4933, 4952, 4966, 5245, 6114, 6243, 6245, 6247, 6304, 6306, 6308, 6345, 6489, 6724, 6777, 6952. 694849 Crankshaft Used on Type No(s). 0130. 696290 Crankshaft Used on Type No(s). 0120, 0185. 694850 Crankshaft Used on Type No(s). 0121, 0139, 0141, 0183.				797681 Crankshaft Used on Type No(s). 0124, 0526, 0535, 1914, 4914, 6535. 691482 Crankshaft Used on Type No(s). 0119, 0144, 0297, 0300, 1907, 1977, 4305. 694478 Crankshaft Used on Type No(s). 0510, 0536, 6536. 691454 Crankshaft Used on Type No(s). 0228, 1926, 4926, 6228. 692980 Crankshaft Used on Type No(s). 1715. 696009 Crankshaft Used on Type No(s). 0161, 0203, 0205, 0206, 0212, 0215, 0216, 0217, 0222, 0224, 4161, 4215, 5216, 5217, 6622. 797372 Crankshaft Used on Type No(s). 0232, 0233. 797018 Crankshaft Used on Type No(s). 0253.

K Included in Engine Gasket Set-Ref. No.358.

D Included in Carburetor Overhaul Kit-Ref. No. 121.

z Included in Carburetor Gasket Set-Ref. No. 977.

Included in Valve Gasket Set-Ref. No 1095.

Illustrations cover a range of engines. Parts shown without corresponding text may not be used on your specific engine.

# 124T00

REF. NO.	PART NO.	DESCRIPTION	REF. NO.	PART NO.	DESCRIPTION	REF. NO.	PART NO.	DESCRIPTION
20	K399781S	Seal-Oil (PTO Side)	25	590404	Piston Assembly (Standard) (Used After Code Date 11063000). ----- Note ----- 797302 Piston Assembly (Standard) (Used After Code Date 09041600 and Before Code Date 11070100). 795429 Piston Assembly (Standard) (Used After Code Date 07090300 and Before Code Date 09041700). 791097 Piston Assembly (Standard) (Used Before Code Date 07090400). 590405 Piston Assembly (.020" Oversize) (Used After Code Date 11063000). 797303 Piston Assembly (.020" Oversize) (Used After Code Date 09041600 and Before Code Date 11070100). 795430 Piston Assembly (.020" Oversize) (Used After Code Date 07090300 and Before Code Date 09041700). 791326 Piston Assembly (.020" Oversize) (Used Before Code Date 07090400).	26	590402	Ring Set (Standard) (Used After Code Date 11063000). ----- Note ----- 797304 Ring Set (Standard) (Used After Code Date 09041600 and Before Code Date 11070100). 795431 Ring Set (Standard) (Used After Code Date 07090300 and Before Code Date 09041700). 791098 Ring Set (Standard) (Used Before Code Date 07090400). 590403 Ring Set (.020" Oversize) (Used After Code Date 11063000). 797305 Ring Set (.020" Oversize) (Used After Code Date 09041600 and Before Code Date 11070100). 795432 Ring Set (.020" Oversize) (Used After Code Date 07090300 and Before Code Date 09041700). 791324 Ring Set (.020" Oversize) (Used Before Code Date 07090400).
22	691092	Screw (Crankcase Cover/ Sump)						
23A	691987	Flywheel ----- Note ----- 691992 Flywheel Used on Type No(s). 0105, 0119, 0120, 0121, 0124, 0130, 0135, 0136, 0137, 0138, 0139, 0141, 0143, 0147, 0148, 0149, 0175, 0183, 0185, 0186, 0187, 0192, 0200, 0232, 0233, 0238, 0241, 0243, 0244, 0246, 0253, 0297, 0300, 0304, 0309, 0526, 0535, 1120, 1724, 1777, 1907, 1914, 1933, 2643, 4164, 4198, 4724, 4777, 4914, 4933, 5147, 5187, 6164, 6241, 6243, 6246, 6304, 6535, 6644, 6675, 6724, 6777.						
24	222698S	Key-Flywheel						

K Included in Engine Gasket Set-Ref. No.358.

D Included in Carburetor Overhaul Kit-Ref. No. 121.

z Included in Carburetor Gasket Set-Ref. No. 977.

Included in Valve Gasket Set-Ref. No 1095.

Illustrations cover a range of engines. Parts shown without corresponding text may not be used on your specific engine.

3730-10

Assemblies include all parts shown in frames.

11/01/2011

REF. NO.	PART NO.	DESCRIPTION	REF. NO.	PART NO.	DESCRIPTION	REF. NO.	PART NO.	DESCRIPTION
27	691588	Lock-Piston Pin (Used After Code Date 09041600). ----- Note ----- 691866 Lock-Piston Pin (Used Before Code Date 09041700).	35	691270	Spring-Valve (Intake)	81	691740	Lock-Muffler Screw
			36	691270	Spring-Valve (Exhaust)	95	691636	Screw (Throttle Valve)
			37	694086	Guard-Flywheel	97	493267	Shaft-Throttle (Metal)
			40	692194	Retainer-Valve			----- Note ----- 696565 Shaft-Throttle (Plastic)
			43	691997	Slinger-Governor/Oil ----- Note ----- 691486 Slinger-Governor/Oil Used on Type No(s). 0119, 1120, 1907, 1977, 4305.	98	398185	Kit-Idle Speed
28	298909	Pin-Piston (Used After Code Date 09041600). ----- Note ----- 499423 Pin-Piston (Used Before Code Date 09041700).	45	690548	Tappet-Valve	98A	493280	Kit-Idle Speed
			46	691449	Camshaft	104	D691242	Pin-Float Hinge
			50A	794305	Manifold-Intake	108	691182	Valve-Choke
			51	K272199S	Gasket-Intake	108A	795935	Valve-Choke (Used After Code Date 08031200). ----- Note ----- 790844 Valve-Choke (Used Before Code Date 08031300). 799465 Valve-Choke Used on Type No(s). 3174, 3302, 4257, 4258, 4259, 6162, 6163, 6164, 6174, 6228, 6257, 6258, 6259, 6302.
			51A	K794306	Gasket-Intake			
			54	691650	Screw (Intake Manifold)			
			55	691421	Housing-Rewind Starter	109	494218	Shaft-Choke
			58	697316	Rope-Starter (Cut To Required Length)	109A	498593	Shaft-Choke
					----- Note ----- 791362 Rope-Starter Used on Type No(s). 0987, 1232, 6632.	109B	795936	Shaft-Choke (Used After Code Date 08031200). ----- Note ----- 790843 Shaft-Choke (Used Before Code Date 08031300).
32	691664	Screw (Connecting Rod)	60	281434S	Grip-Starter Rope			
32A	695759	Screw (Connecting Rod)	60C	799716	Grip-Starter Rope			
33	590394	Valve-Exhaust (Used After Code Date 11063000). ----- Note ----- 260651S Valve-Exhaust (Used Before Code Date 11070100).	65	690837	Screw (Rewind Starter)			
			78	691108	Screw (Flywheel Guard)			
34	590393	Valve-Intake (Used After Code Date 11063000). ----- Note ----- 262652S Valve-Intake (Used Before Code Date 11070100).						

K Included in Engine Gasket Set-Ref. No.358.

D Included in Carburetor Overhaul Kit-Ref. No. 121.

z Included in Carburetor Gasket Set-Ref. No. 977.

Included in Valve Gasket Set-Ref. No 1095.

Illustrations cover a range of engines. Parts shown without corresponding text may not be used on your specific engine.

# 124T00

REF. NO.	PART NO.	DESCRIPTION	REF. NO.	PART NO.	DESCRIPTION	REF. NO.	PART NO.	DESCRIPTION
117	498978	Jet-Main (Standard) ----- Note ----- 692677 Jet-Main (Standard) (Used After Code Date 07020600). Used on Type No(s). 0210, 0464, 0736, 0854, 0886, 0896, 0926, 1001, 1072, 1771, 1781, 1946, 2042, 3736, 3854, 6626. 494870 Jet-Main (Standard) (Used Before Code Date 07020700). Used on Type No(s). 0464, 0736, 0854, 3736, 3854. 798661 Jet-Main (Standard) Used on Type No(s). 0253, 1115, 2177, 6114, 6115, 6226, 6229, 6306, 6335, 6614, 6622, 6649, 6650.	117A	498981	Jet-Main (Standard) ----- Note ----- 498978 Jet-Main (Standard) Used on Type No(s). 0119, 0144, 1120, 1907, 1977, 4305. 797574 Jet-Main (Standard) Used on Type No(s). 0297, 0300, 6535, 6536, 6644, 6675.	117B	498977	Jet-Main (Standard) (Used After Code Date 08061900). ----- Note ----- 691428 Jet-Main (Standard) (Used After Code Date 07020600 and Before Code Date 08062000). 697355 Jet-Main (Standard) (Used Before Code Date 07020700). 797574 Jet-Main (Standard) Used on Type No(s). 3174, 3302, 4257, 4258, 4259, 6162, 6163, 6164, 6174, 6228, 6257, 6258, 6259, 6302. 590440 Jet-Main (Standard) Used on Type No(s). 0251, 0256, 0257, 0309, 6172, 6205, 6220, 6236, 6241, 6243, 6245, 6246, 6247, 6248, 6254, 6303, 6304, 6308, 6345, 6408, 6489, 6492, 6567, 6602, 6605, 6606, 6607, 6632, 6635, 6639, 6653, 6656, 6657, 6658, 6659, 6688, 6724, 6777, 6778, 6782, 6923, 6950, 6952. 590440 Jet-Main (Standard) (Used After Code Date 11063000). Used on Type No(s). 0252. 498977 Jet-Main (Standard) (Used Before Code Date 11070100). Used on Type No(s). 0252.

K Included in Engine Gasket Set-Ref. No.358.

D Included in Carburetor Overhaul Kit-Ref. No. 121.

z Included in Carburetor Gasket Set-Ref. No. 977.

Included in Valve Gasket Set-Ref. No 1095.

Illustrations cover a range of engines. Parts shown without corresponding text may not be used on your specific engine.

3730-12

Assemblies include all parts shown in frames.

11/01/2011

REF. NO.	PART NO.	DESCRIPTION	REF. NO.	PART NO.	DESCRIPTION	REF. NO.	PART NO.	DESCRIPTION
118	498975	Jet-Main (High Altitude) ----- Note ----- 498977 Jet-Main (High Altitude) Used on Type No(s). 0210, 0464, 0736, 0854, 0886, 0896, 0926, 1001, 1072, 1771, 1781, 1946, 2042, 3736, 3854, 6626. 798660 Jet-Main (High Altitude) Used on Type No(s). 0253, 1115, 2177, 6114, 6115, 6226, 6229, 6306, 6335, 6614, 6622, 6649, 6650.	118A	494870	Jet-Main (High Altitude) ----- Note ----- 497466 Jet-Main (High Altitude) Used on Type No(s). 0119, 0144, 1120, 1907, 1977, 4305. 797575 Jet-Main (High Altitude) Used on Type No(s). 0297, 0300, 6535, 6536, 6644, 6675.	118B	694250	Jet-Main (High Altitude) (Used After Code Date 08061900). ----- Note ----- 695042 Jet-Main (High Altitude) (Used After Code Date 07020600 and Before Code Date 08062000). 692677 Jet-Main (High Altitude) (Used Before Code Date 07020700). 797575 Jet-Main (High Altitude) Used on Type No(s). 3174, 3302, 4257, 4258, 4259, 6162, 6163, 6164, 6174, 6228, 6257, 6258, 6259, 6302. 798661 Jet-Main (High Altitude) Used on Type No(s). 0251, 0256, 0257, 0309, 6172, 6205, 6220, 6236, 6241, 6243, 6245, 6246, 6247, 6248, 6254, 6303, 6304, 6308, 6345, 6408, 6489, 6492, 6567, 6602, 6605, 6606, 6607, 6632, 6635, 6639, 6653, 6656, 6657, 6658, 6659, 6688, 6724, 6777, 6778, 6782, 6923, 6950, 6952. 798661 Jet-Main (High Altitude) (Used After Code Date 11063000). Used on Type No(s). 0252. 694250 Jet-Main (High Altitude) (Used Before Code Date 11070100). Used on Type No(s). 0252.

K Included in Engine Gasket Set-Ref. No.358.

D Included in Carburetor Overhaul Kit-Ref. No. 121.

z Included in Carburetor Gasket Set-Ref. No. 977.

Included in Valve Gasket Set-Ref. No 1095.

Illustrations cover a range of engines. Parts shown without corresponding text may not be used on your specific engine.

3730-13

Assemblies include all parts shown in frames.

11/01/2011

# 124T00

REF. NO.	PART NO.	DESCRIPTION	REF. NO.	PART NO.	DESCRIPTION	REF. NO.	PART NO.	DESCRIPTION
121	498260	Kit-Carburetor Overhaul	125A	792253	Carburetor (Choke System)	125B	794304	Carburetor (Autochoke System)
125	498170	Carburetor (Primer System)			----- Note -----			(Used After Code Date 07020600).
		----- Note -----			499059 Carburetor (Choke System)			----- Note -----
		694882 Carburetor (Primer System)			Used on Type No(s). 0119, 0144, 1120, 1907, 1977, 4305.			790845 Carburetor (Autochoke System)
		(Used After Code Date 07020600).			790978 Carburetor (Choke System)			(Used Before Code Date 07020700).
		Used on Type No(s). 0210, 0464, 0736, 0854, 0886, 0896, 0926, 1001, 1072, 1771, 1781, 1946, 2042, 3736, 3854, 6626.			Used on Type No(s). 0147, 0148, 0155, 0163, 0178, 0202, 0238, 1724, 1728, 1729, 1772, 1773, 5147.			799464 Carburetor (Autochoke System)
		790821 Carburetor (Primer System)			796579 Carburetor (Choke System)			Used on Type No(s). 3174, 3302, 4257, 4258, 4259, 6162, 6163, 6164, 6174, 6228, 6257, 6258, 6259, 6302.
		(Used Before Code Date 07020700).			Used on Type No(s). 0162, 0207, 5207.			799866 Carburetor (Autochoke System)
		Used on Type No(s). 0464, 0736, 0854, 3736, 3854.			799869 Carburetor (Choke System)			Used on Type No(s). 0251, 0256, 0257, 0309, 6172, 6205, 6220, 6236, 6241, 6243, 6245, 6246, 6247, 6248, 6254, 6303, 6304, 6308, 6345, 6408, 6489, 6492, 6567, 6602, 6605, 6606, 6607, 6632, 6635, 6639, 6653, 6656, 6657, 6658, 6659, 6688, 6724, 6777, 6778, 6782, 6923, 6950, 6952.
		799868 Carburetor (Primer System)			Used on Type No(s). 0297, 0300, 6535, 6536, 6644, 6675.			799866 Carburetor (Autochoke System)
		Used on Type No(s). 0253, 1115, 2177, 6114, 6115, 6226, 6229, 6306, 6335, 6614, 6622, 6649, 6650.						(Used After Code Date 11063000).
								Used on Type No(s). 0252.
								794304 Carburetor (Autochoke System)
								(Used Before Code Date 11070100).
								Used on Type No(s). 0252.

K Included in Engine Gasket Set-Ref. No.358.  
 D Included in Carburetor Overhaul Kit-Ref. No. 121.

z Included in Carburetor Gasket Set-Ref. No. 977.  
 Included in Valve Gasket Set-Ref. No 1095.

Illustrations cover a range of engines. Parts shown without corresponding text may not be used on your specific engine.

REF. NO.	PART NO.	DESCRIPTION	REF. NO.	PART NO.	DESCRIPTION	REF. NO.	PART NO.	DESCRIPTION
127	D694468	Plug-Welch	137	Dz796610	Gasket-Float Bowl (1/8" Thick)	187	791766	Line-Fuel (Cut to Required Length)
130	696564	Valve-Throttle				187A	791873	Line-Fuel (Molded)
		----- Note -----				187B	791891	Line-Fuel (Includes Filter)
		799466 Valve-Throttle			693981 Gasket-Float Bowl	188	693399	Screw (Control Bracket)
		Used on Type No(s).			(1/16" Thick)	190	690940	Screw (Fuel Tank)
		3174, 3302, 4257,	146	690979	Key-Timing	202	691829	Link-Mechanical Governor
		4258, 4259, 6162,	163KDz	272653	Gasket-Air Cleaner			
		6163, 6164, 6174,						
		6228, 6257, 6258,						
		6259, 6302.						
130A	691203	Valve-Throttle						
133	398187	Float-Carburetor						
134	D398188	Kit-Needle/Seat						

K Included in Engine Gasket Set-Ref. No.358.

D Included in Carburetor Overhaul Kit-Ref. No. 121.

z Included in Carburetor Gasket Set-Ref. No. 977.

Included in Valve Gasket Set-Ref. No 1095.

Illustrations cover a range of engines. Parts shown without corresponding text may not be used on your specific engine.

# 124T00

REF. NO.	PART NO.	DESCRIPTION	REF. NO.	PART NO.	DESCRIPTION	REF. NO.	PART NO.	DESCRIPTION		
209B	699056	Spring-Governor ----- Note ----- 691851 Spring-Governor Used on Type No(s). 0111, 0112, 0114, 0133, 0134, 0144, 0175, 0241, 0244, 0248, 2115, 2311, 2643, 5133, 6115, 6241, 6248, 6644, 6675. 691290 Spring-Governor Used on Type No(s). 0130, 0171. 691291 Spring-Governor Used on Type No(s). 0115, 0120, 0121, 0128, 0135, 0136, 0137, 0141, 0142, 0143, 0149, 0183, 0185, 0186, 0187, 0253, 0304, 0510, 0536, 1914, 4914, 5187, 6304, 6536. 691864 Spring-Governor Used on Type No(s). 0124, 0144, 4305. 793007 Spring-Governor Used on Type No(s). 0147, 0148, 0238, 5147. 690241 Spring-Governor Used on Type No(s). 0119, 0297, 0300, 1120, 1907, 1977. 790944 Spring-Governor Used on Type No(s). 0526, 0535, 6535.			691292 Spring-Governor Used on Type No(s). 0105, 0129, 0138, 0139, 0157, 0158, 0159, 0160, 0161, 0172, 0176, 0177, 0179, 0192, 0199, 0200, 0201, 0204, 0208, 0215, 0221, 0222, 0224, 0226, 0227, 0228, 0229, 0239, 0243, 0251, 0257, 0303, 0306, 0308, 0356, 0399, 0567, 0988, 0989, 0994, 0999, 1001, 1004, 1026, 1049, 1052, 1072, 1090, 1115, 1146, 1206, 1232, 1246, 1247, 1254, 1353, 1408, 1492, 1709, 1715, 1777, 1781, 1905, 1923, 1926, 1936, 1946, 1950, 1951, 1952, 1966, 1971, 2048, 2049, 2112, 2113, 2114, 2177, 2309, 4048, 4049, 4114, 4176, 4157, 4158, 4159, 4160, 4161, 4172, 4198, 4215, 4257, 4258, 4259, 4567, 4611, 4724, 4777, 4923, 4926, 4950, 4951, 4952, 4966, 5160, 5492, 6114, 6172, 6226, 6228, 6229, 6243, 6254, 6257, 6258, 6259, 6303, 6306, 6308, 6408, 6492, 6567, 6606, 6622, 6626, 6639, 6650, 6653, 6656, 6657, 6658, 6659, 6724, 6777, 6923, 6950, 6952.					691852 Spring-Governor Used on Type No(s). 0174, 0188, 0210, 0220, 0236, 0246, 0249, 0252, 0256, 0302, 0305, 0309, 0489, 0987, 1232, 1720, 1722, 1771, 1774, 1776, 1778, 1779, 1780, 1782, 1924, 1972, 1983, 2042, 2109, 2110, 2346, 2367, 2635, 2636, 3174, 3302, 4162, 4163, 4164, 4174, 4178, 4635, 4778, 5178, 6162, 6163, 6164, 6174, 6220, 6236, 6246, 6302, 6489, 6602, 6605, 6632, 6635, 6649, 6688, 6778, 6782. 792666 Spring-Governor Used on Type No(s). 1724. 791157 Spring-Governor Used on Type No(s). 0155, 0162, 0163, 0178, 0202, 0207, 1728, 1729, 1772, 1773, 5207.

K Included in Engine Gasket Set-Ref. No.358.

D Included in Carburetor Overhaul Kit-Ref. No. 121.

z Included in Carburetor Gasket Set-Ref. No. 977.

Included in Valve Gasket Set-Ref. No 1095.

Illustrations cover a range of engines. Parts shown without corresponding text may not be used on your specific engine.



REF. NO.	PART NO.	DESCRIPTION	REF. NO.	PART NO.	DESCRIPTION	REF. NO.	PART NO.	DESCRIPTION
217	690354	Spring-Choke Return	227	690783	Lever-Governor Control	268	691025	Casing-Control Wire (Cut to Required Length)
222	790143	Bracket-Control (Remote/Manual Friction)(Primer)	231	691636	Screw (Choke Valve)	269	691026	Wire-Control (Cut to Required Length)
222A	692021	Bracket-Control (Remote Choke and Choke A Matic)	236	691826	Link-Lockout	270	691027	Nut (Control Wire Casing)
		----- Note ----- 790982 Bracket-Control	240	298090S	Filter-Fuel	271	691028	Lever-Control
		Used on Type No(s). 0155, 0162, 0163, 0178, 0202, 0207, 1728, 1729, 1772, 1773, 5207.	259	691223	Bracket-Casing Clamp (Control Wire Casing)	276 Dz	271716	Washer-Sealing (Main Jet)
			265	690798	Clamp-Casing	287	690940	Screw (Dipstick Tube)
			265A	691024	Clamp-Casing	291	790830	Thermostat
			267	691044	Screw (Casing Clamp)			
222C	692150	Bracket-Control (Variable Speed) (5 Position Manual Choke)						
222D	793754	Bracket-Control (Fixed Speed)						
222E	692982	Bracket-Control (Manual Friction 5 Position Manual Choke).						

K Included in Engine Gasket Set-Ref. No.358.

D Included in Carburetor Overhaul Kit-Ref. No. 121.

z Included in Carburetor Gasket Set-Ref. No. 977.

Included in Valve Gasket Set-Ref. No 1095.

Illustrations cover a range of engines. Parts shown without corresponding text may not be used on your specific engine.

3730-17

Assemblies include all parts shown in frames.

11/01/2011

# 124T00

REF. NO.	PART NO.	DESCRIPTION	REF. NO.	PART NO.	DESCRIPTION	REF. NO.	PART NO.	DESCRIPTION
300	692038	Muffler ----- Note ----- 790828 Muffler Used on Type No(s). 0128, 0157, 0158, 0159, 0160, 0174, 0176, 0188, 0203, 0204, 0205, 0206, 0208, 0212, 0216, 0217, 0220, 0221, 0224, 0227, 0228, 0229, 0236, 0239, 0241, 0243, 0245, 0246, 0247, 0248, 0251, 0252, 0256, 0257, 0301, 0302, 0303, 0304, 0305, 0307, 0308, 0309, 0356, 0489, 0567, 0650, 0847, 0885, 0987, 1205, 1206, 1232, 1246, 1247, 1254, 1353, 1408, 1488, 1489, 1492, 1777, 1778, 1779, 1782, 2048, 2049, 3174, 3302, 3847, 4048, 4049, 4114, 4156, 4157, 4158, 4159, 4160, 4162, 4163, 4164, 4172, 4174, 4178, 4198, 4257, 4258, 4259, 4567, 4611, 4635, 4724, 4777, 4778, 4914, 4923, 4926, 4933, 4950, 4951, 4952, 4966, 5160, 5178, 5216, 5217, 5245, 5492, 6162, 6163, 6164, 6172, 6174, 6205, 6220, 6228, 6229, 6236, 6241, 6243, 6245, 6246, 6247, 6248, 6254, 6257, 6258, 6259, 6302, 6303, 6304, 6308, 6345, 6408, 6489, 6492, 6567, 6602, 6605, 6606, 6607, 6632, 6635, 6639, 6653, 6656, 6657, 6658, 6659, 6688, 6724, 6777, 6778, 6782, 6923, 6950, 6952.			496106S Muffler Used on Type No(s). 0105, 0139, 0155, 0162, 0163, 0172, 0175, 0177, 0178, 0179, 0201, 0202, 0207, 0226, 0238, 0244 0306, 0611, 1026, 1709, 1715, 1720, 1722, 1724, 1728, 1729, 1771, 1772, 1773, 1776, 1780, 1905, 1907, 1914, 1923, 1924, 1926, 1933, 1936, 1946, 1950, 1951, 1952, 1966, 1971, 1972, 1977, 1983, 2042, 2050, 2109, 2110, 2112, 2113, 2114, 2177, 2309, 2311, 2346, 2367, 2635, 2636, 2643, 4305, 5207, 6114, 6226, 6306, 6626, 6644, 6650, 6675. 792677 Muffler Used on Type No(s). 1052.	300B	694048	Muffler

K Included in Engine Gasket Set-Ref. No.358.

D Included in Carburetor Overhaul Kit-Ref. No. 121.

z Included in Carburetor Gasket Set-Ref. No. 977.

Included in Valve Gasket Set-Ref. No 1095.

Illustrations cover a range of engines. Parts shown without corresponding text may not be used on your specific engine.

3730-18

Assemblies include all parts shown in frames.

11/01/2011

REF. NO.	PART NO.	DESCRIPTION	REF. NO.	PART NO.	DESCRIPTION	REF. NO.	PART NO.	DESCRIPTION
304	695892	Housing-Blower ----- Note ----- 790826 Housing-Blower Used on Type No(s). 0128, 0157, 0158, 0159, 0174, 0176, 0188, 0203, 0204, 0205, 0206, 0208, 0212, 0216, 0217, 0220, 0221, 0224, 0227, 0228, 0229, 0236, 0239, 0243, 0246, 0247, 0251, 0252, 0256, 0257, 0301, 0302, 0303, 0305, 0307, 0308, 0309, 0356, 0489, 0567, 0650, 0847, 0885, 0987, 1052, 1205, 1206, 1232, 1246, 1247, 1254, 1353, 1408, 1488, 1489, 1492, 1779, 1782, 2048, 3174, 3302, 3847, 4048, 4049, 4157, 4158, 4159, 4160, 4162, 4163, 4172, 4174, 4178, 4257, 4258, 4259, 4567, 4611, 4635, 4778, 4923, 4926, 4950, 4951, 4952, 4966, 5160, 5178, 5216, 5217, 5492, 6162, 6163, 6172, 6174, 6205, 6220, 6228, 6229, 6236, 6243, 6246, 6247, 6254, 6257, 6258, 6259, 6302, 6303, 6308, 6408, 6489, 6492, 6567, 6602, 6605, 6606, 6607, 6632, 6635, 6639, 6653, 6657, 6658, 6659, 6688, 6778, 6782, 6923, 6950, 6952.			493294 Housing-Blower Used on Type No(s). 0105, 0115, 0120, 0121, 0124, 0130, 0133, 0134, 0135, 0136, 0137, 0138, 0139, 0141, 0143, 0144, 0147, 0148, 0149, 0171, 0175, 0177, 0183, 0185, 0186, 0187, 0192, 0200, 0232, 0233, 0238, 0244, 0253, 0306, 0510, 0297, 0300, 0526, 0535, 0536, 1724, 1907, 1914, 1933, 1977, 2114, 2177, 2643, 4305, 5133, 5147, 5187, 6114, 6306, 6535, 6536, 6644, 6675. 493293 Housing-Blower Used on Type No(s). 0114, 0140, 0161, 0163, 0178, 0215, 0486, 0611, 0774, 0848, 0904, 0906, 0947, 1026, 1060, 1709, 1715, 1720, 1722, 1728, 1729, 1772, 1776, 1780, 1923, 1924, 1966, 1972, 1983, 2110, 2113, 2309, 2311, 2346, 2367, 2636, 3774, 3848.			694879 Housing-Blower Used on Type No(s). 0119, 1120. 791291 Housing-Blower Used on Type No(s). 0241, 0245, 0248, 0304, 1777, 4114, 4156, 4164, 4198, 4724, 4777, 4914, 4933, 5245, 6164, 6241, 6245, 6248, 6304, 6345, 6656, 6724, 6777. 790983 Housing-Blower Used on Type No(s). 0160, 2049.

K Included in Engine Gasket Set-Ref. No.358.

D Included in Carburetor Overhaul Kit-Ref. No. 121.

z Included in Carburetor Gasket Set-Ref. No. 977.

Included in Valve Gasket Set-Ref. No 1095.

Illustrations cover a range of engines. Parts shown without corresponding text may not be used on your specific engine.

# 124T00

REF. NO.	PART NO.	DESCRIPTION	REF. NO.	PART NO.	DESCRIPTION	REF. NO.	PART NO.	DESCRIPTION
305	691108	Screw (Blower Housing)	333	590454	Armature-Magneto ----- Note -----	337	799876	Plug-Spark (Used After Code Date 11063000).
306	690450	Shield-Cylinder			790817 Armature- Magneto			----- Note -----
306A	790836	Shield-Cylinder			Used on Type No(s). 0464, 0736, 0854, 0896, 1946, 3736, 3854.			802592S Plug-Spark (Resistor) (Used Before Code Date 11070100).
307	690345	Screw (Cylinder Shield)						697451 Plug-Spark (EMS) (Used Before Code Date 11070100).
309	695550	Motor-Starter (Used Before Code Date 07052900).	333A	590455	Armature-Magneto ----- Note -----			
309A	795092	Motor-Starter (Used After Code Date 07052800 and Before Code Date 10112800).			793354 Armature- Magneto			
309B	799045	Motor-Starter (Used After Code Date 10112700). ----- Note ----- 799045 Motor-Starter Used on Type No(s). 0247, 5492.			Used on Type No(s). 0174, 0210, 0226, 0228, 0229, 0243, 0246, 0247, 0303, 0304, 0489, 0885, 0886, 1072, 1205, 1254, 1408, 1771, 1772, 1773, 1778, 1779, 1781, 1782, 2042, 2048, 2049, 3174, 3302, 4162, 4163, 4164, 4172, 4174, 4257, 4258, 4259, 4567, 4724, 4777, 4778, 4923, 4926, 4950, 4951, 4952, 5492.	346	690661	Screw (Spark Arrestor)
310	692327	Bolt (Starter Motor)				347	691396	Switch-Rocker
332	690662	Nut (Flywheel)				356	692390	Wire-Stop
						356B	693010	Wire-Stop
						356D	496381	Wire-Stop
						356G	695283	Wire-Stop
						357A	691483	Key-Drive Pulley
						358	590508	Gasket Set-Engine
						363	19069	Flywheel Puller
						365	691688	Screw (Carburetor)
						383	89838S	Wrench-Spark Plug
						404	690272	Washer (Governor Crank)
						425A	690670	Screw (Air Cleaner Cover)
			334	691061	Screw (Magneto Armature)			

K Included in Engine Gasket Set-Ref. No.358.

D Included in Carburetor Overhaul Kit-Ref. No. 121.

z Included in Carburetor Gasket Set-Ref. No. 977.

Included in Valve Gasket Set-Ref. No 1095.

Illustrations cover a range of engines. Parts shown without corresponding text may not be used on your specific engine.

3730-20

Assemblies include all parts shown in frames.

11/01/2011

REF. NO.	PART NO.	DESCRIPTION	REF. NO.	PART NO.	DESCRIPTION	REF. NO.	PART NO.	DESCRIPTION
443A	692523	Screw (Air Cleaner Primer Base)	525	495265	Tube-Dipstick	584	697734	Cover-Breather Passage
445A	491588S	Filter-Air Cleaner Cartridge	534A	798294	Screw (Air Cleaner)	585	K691879	Gasket-Breather Passage
455	791960	Cup-Flywheel	535A	797301	Filter-Air Cleaner Foam	592	690800	Nut (Rewind Starter)
456	692299	Plate-Pawl Friction	536A	798293	Cleaner-Air	597	691696	Screw (Pawl Friction Plate)
459	281505S	Plate-Ratchet	544	690786	Armature-Starter	601	791850	Clamp-Hose
474	691991	Alternator	545	492919	Washer Set	601A	691038	Clamp-Hose
497	690664	Screw (Stopswitch Bracket)	562	92613	Bolt (Governor Control Lever)	604	691757	Cover-Control
500	691086	Washer (Key Switch)	563	691138	Screw (Debris Guard Screen)	604A	691344	Cover-Control
505	691251	Nut (Governor Control Lever)	564	690664	Screw (Control Cover)	604B	790703	Cover-Control
510	795093	Drive-Starter	564A	691142	Screw (Control Cover)	604D	793770	Cover-Control
513	692358	Clutch-Drive	564B	698589	Screw (Control Cover)	608	497680	Starter-Rewind
523	499621	Dipstick	578	398153	Wire Assembly			----- Note ----- 791363 Starter-Rewind Used on Type No(s). 0987, 1232, 6632.
524	K692296	Seal-Dipstick Tube						

K Included in Engine Gasket Set-Ref. No.358.

D Included in Carburetor Overhaul Kit-Ref. No. 121.

z Included in Carburetor Gasket Set-Ref. No. 977.

Included in Valve Gasket Set-Ref. No 1095.

Illustrations cover a range of engines. Parts shown without corresponding text may not be used on your specific engine.

3730-21

Assemblies include all parts shown in frames.

11/01/2011

# 124T00

REF. NO.	PART NO.	DESCRIPTION	REF. NO.	PART NO.	DESCRIPTION	REF. NO.	PART NO.	DESCRIPTION
613	691340	Screw (Muffler) ----- Note ----- 790833 Screw (Muffler) Used on Type No(s). 0128, 0157, 0158, 0159, 0160, 0174, 0176, 0188, 0203, 0204, 0205, 0206, 0208, 0212, 0216, 0217, 0220, 0221, 0224, 0227, 0228, 0229, 0236, 0239, 0241, 0243, 0245, 0246, 0247, 0248, 0251, 0252, 0256, 0257, 0301, 0302, 0303, 0304, 0305, 0307, 0308, 0309, 0356, 0489, 0567, 0650, 0847, 0885, 0987, 1205, 1206, 1232, 1246, 1247, 1254, 1353, 1408, 1488, 1489, 1492, 1777, 1778, 1779, 1782, 2048, 2049, 3174, 3302, 3847, 4048, 4049, 4114, 4156, 4157, 4158,			4159, 4160, 4162, 4163, 4164, 4172, 4174, 4178, 4198, 4257, 4258, 4259, 4567, 4611, 4635, 4724, 4777, 4778, 4914, 4923, 4926, 4933, 4950, 4951, 4952, 4966, 5160, 5178, 5216, 5217, 5245, 5492, 6162, 6163, 6164, 6172, 6174, 6205, 6220, 6228, 6229, 6236, 6241, 6243, 6245, 6246, 6247, 6248, 6254, 6257, 6258, 6259, 6302, 6303, 6304, 6308, 6345, 6408, 6489, 6492, 6567, 6602, 6605, 6606, 6607, 6632, 6635, 6639, 6653, 6656, 6657, 6658, 6659, 6688, 6724, 6777, 6778, 6782, 6923, 6950, 6952, 792678 Screw (Muffler) Used on Type No(s). 1052.	613B	691114	Screw (Muffler)

K Included in Engine Gasket Set-Ref. No.358.

D Included in Carburetor Overhaul Kit-Ref. No. 121.

z Included in Carburetor Gasket Set-Ref. No. 977.

Included in Valve Gasket Set-Ref. No 1095.

Illustrations cover a range of engines. Parts shown without corresponding text may not be used on your specific engine.

3730-22

Assemblies include all parts shown in frames.

11/01/2011

REF. NO.	PART NO.	DESCRIPTION	REF. NO.	PART NO.	DESCRIPTION	REF. NO.	PART NO.	DESCRIPTION
615	690340	Retainer-Governor Shaft	741	797521	Gear-Timing (Metal)	832	590486	Guard-Muffler (Used After Code Date 11063000).
616	698801	Crank-Governor			(Used After Code Date 08021700).			----- Note -----
617KDz	270344	Seal-O Ring (Intake Manifold)			----- Note -----			499034 Guard-Muffler (Used Before Code Date 11070100).
621	692310	Switch-Stop			795755 Gear-Timing (Plastic)	832B	497683	Guard-Muffler
627	792565	Bracket-Stop Switch			(Used After Code Date 08021700).	832E	793568	Guard-Muffler
633 Dz	691321	Seal-Choke/Throttle Shaft			794388 Gear-Timing (Use Without Woodruff Key)	836	690664	Screw (Muffler Guard)
633A Dz	693867	Seal-Choke/Throttle Shaft			(Used After Code Date 07093000 and Before Code Date 08021800).	836B	691147	Screw (Muffler Guard)
635	66538S	Boot-Spark Plug			790345 Gear-Timing (Use Without Woodruff Key)	836C	790745	Screw (Muffler Guard)
635A	793351	Boot-Spark Plug			(Used Before Code Date 07100100).	842	K691031	Seal-O Ring (Dipstick Tube)
651	691660	Screw (Starter Gear Cover)			691830 Gear-Timing (Uses Woodruff Key)	843	691884	Sleeve-Lever (Speed Control)
664	691087	Nut (Key Switch)			742 93941 Retainer-E Ring	843A	691895	Sleeve-Lever (Choke)
668	K493823	Spacer	745	691648	Screw (Brake)	847	692047	Dipstick/Tube Assembly
670	692294	Spacer-Fuel Tank			783 691918 Gear-Pinion	851	493880S	Terminal-Spark Plug
676	396548	Deflector-Muffler			783A 691269 Gear-Pinion	851A	692424	Terminal-Spark Plug
676A	393756	Deflector-Muffler			784 795095 Cover-Starter Gear	853	695268	Adapter-Wire
676B	397931	Deflector-Muffler			785 692352 Gasket-Starter Cover			----- Note -----
676C	493871	Deflector-Muffler			789B 696547 Harness-Wiring			698471 Adapter-Wire Used on Type No(s). 2110, 2113.
676D	497682	Deflector-Muffler			----- Note -----			696379 Adapter-Wire Used on Type No(s). 0138.
677	690661	Screw (Muffler Deflector)			696546 Harness-Wiring	853A	695897	Adapter-Wire
684	690345	Screw (Breather Passage Cover)			Used on Type No(s). 0138.	868	590410	Seal-Valve (Used After Code Date 11063000).
689	691855	Spring-Friction			789C 796385 Harness-Wiring			----- Note -----
692	690572	Spring-Detent			789D 796574 Harness-Wiring			697338 Seal-Valve (Used Before Code Date 11070100).
697	691127	Screw (Drive Cap)			801 690782 Cap-Drive			
703	696309	Clip			802 695267 Cap-End			
718	690959	Pin-Locating			803 695266 Housing-Starter			

K Included in Engine Gasket Set-Ref. No.358.

D Included in Carburetor Overhaul Kit-Ref. No. 121.

z Included in Carburetor Gasket Set-Ref. No. 977.

Included in Valve Gasket Set-Ref. No 1095.

Illustrations cover a range of engines. Parts shown without corresponding text may not be used on your specific engine.

# 124T00

REF. NO.	PART NO.	DESCRIPTION	REF. NO.	PART NO.	DESCRIPTION	REF. NO.	PART NO.	DESCRIPTION
869	691155	Seat-Valve (Intake)	883 K	691881	Gasket-Exhaust	921A	695886	Cover-Blower Housing
870	690380	Seat-Valve (Exhaust)	892	690646	Switch-Key	921B	692931	Cover-Blower Housing
871	590409	Bushing-Valve Guide (Exhaust) (Used After Code Date 11063000). ----- Note ----- 590409 Bushing-Valve Guide (Intake) (Used After Code Date 11063000). 262001 Bushing-Valve Guide (Exhaust) (Used Before Code Date 11070100). 63709 Bushing-Valve Guide (Intake) (Used Before Code Date 11070100).	910	691094	Stud (Alternator)	921C	695889	Cover-Blower Housing
			920	691656	Solenoid-Starter	921E	696262	Cover-Blower Housing
						921F	697343	Cover-Blower Housing
						921G	790701	Cover-Blower Housing
						921H	790037	Cover-Blower Housing
						921J	790036	Cover-Blower Housing
						921K	699984	Cover-Blower Housing
						921L	791026	Cover-Blower Housing
						921M	792652	Cover-Blower Housing
						921R	793771	Cover-Blower Housing
						921U	794355	Cover-Blower Housing
						921W	796921	Cover-Blower Housing (Used After Code Date 09010800). ----- Note ----- 796571 Cover-Blower Housing (Used Before Code Date 09010900).
						921X	796706	Cover-Blower Housing
						921Y	798277	Cover-Blower Housing

K Included in Engine Gasket Set-Ref. No.358.

D Included in Carburetor Overhaul Kit-Ref. No. 121.

z Included in Carburetor Gasket Set-Ref. No. 977.

Included in Valve Gasket Set-Ref. No 1095.

Illustrations cover a range of engines. Parts shown without corresponding text may not be used on your specific engine.



REF. NO.	PART NO.	DESCRIPTION	REF. NO.	PART NO.	DESCRIPTION	REF. NO.	PART NO.	DESCRIPTION
922	691831	Spring-Brake	923B	796136	Brake			----- Note -----
922A	692135	Spring-Brake			(Used After Code Date			796387 Brake
923	691994	Brake			08043000).			Used on Type No(s).
923A	695891	Brake			Used on Type No(s).			0207, 0216, 0217,
		----- Note -----			0101, 0111, 0112,			0221, 0229, 0247,
		695891 Brake			0116, 0128, 0129,			0302, 1488, 1492,
		(Used Before Code			0142, 0199, 0204,			2947, 3302, 4026,
		Date 08050100).			0210, 0220, 0236,			4049, 4160, 4163,
		Used on Type No(s).			0243, 0245, 0246,			4178, 4611, 4923,
		0101, 0111, 0112,			0249, 0251, 0252,			4947, 5160, 5178,
		0116, 0128, 0129,			0256, 0257, 0309,			5207, 5217, 5492,
		0142, 0455, 0464,			0455, 0464, 0489,			6163, 6229, 6247,
		0704, 0736, 0773,			0645, 0704, 0736,			6302, 6492, 6602,
		0847, 0853, 0854,			0773, 0847, 0853,			6923.
		0876, 0885, 0886,			0854, 0876, 0885,			
		0887, 0896, 1771,			0886, 0887, 0896,			
		1773, 1779, 1781,			1227, 1335, 1348,			
		1782, 1905, 1926,			1489, 1514, 1771,			
		1946, 1950, 1951,			1773, 1779, 1781,			
		1952, 1971, 2042,			1782, 1905, 1926,			
		2048, 2109, 2112,			1946, 1950, 1951,			
		2635, 3704, 3736,			1952, 1971, 2042,			
		3773, 3847, 3853,			2048, 2109, 2112,			
		3854.			2635, 3704, 3736,			
					3773, 3847, 3853,			
					3854, 4048, 4635,			
					4778, 4926, 4947,			
					4950, 4951, 4952,			
					4966, 5216, 5245,			
					6220, 6236, 6243,			
					6245, 6246, 6335,			
					6345, 6489, 6614,			
					6635, 6649, 6650,			
					6778, 6782, 6950,			
					6952.			

K Included in Engine Gasket Set-Ref. No.358.

D Included in Carburetor Overhaul Kit-Ref. No. 121.

z Included in Carburetor Gasket Set-Ref. No. 977.

Included in Valve Gasket Set-Ref. No 1095.

Illustrations cover a range of engines. Parts shown without corresponding text may not be used on your specific engine.

# 124T00

REF. NO.	PART NO.	DESCRIPTION	REF. NO.	PART NO.	DESCRIPTION	REF. NO.	PART NO.	DESCRIPTION
925	795403	Cover-Linkage (Used After Code Date 07072200). ----- Note ----- 690595 Cover-Linkage (Used Before Code Date 07072300).	967A	493537S	Filter-Pre Cleaner	1058	380567	Operator's Manual (Used After Code Date 11063000). ----- Note ----- 277039 Operator's Manual (Used Before Code Date 11070100).
930	691919	Guard-Rewind	968B	692298	Cover-Air Cleaner	1059	692311	Kit-Screw/Washer
930A	691345	Guard-Rewind	969	690700	Screw (Blower Housing Cover)	1095	590507	Gasket Set-Valve
935	499421	Switch-Interlock (Used Before Code Date 08050100).	969A	691138	Screw (Blower Housing Cover)	1102	691255	Pilot-Guide
937	691325	Spline-Starter	972B	699374	Tank-Fuel	1119	691648	Screw (Alternator)
937A	799420	Spline-Starter	972F	590490	Tank-Fuel	1160	690345	Screw (Interlock Switch)
940	690664	Screw (Casing Clamp Bracket)	975	493640	Bowl-Float	1210	498144	Pulley/Spring Assembly (Pulley)
949	696306	Guard-Debris Screen	976	694395	Primer-Carburetor	1211	498144	Pulley/Spring Assembly (Spring)
957A	692046	Cap-Fuel Tank	977	498261	Gasket Set-Carburetor	1319	794467	Label-Warning
957B	699985	Cap-Fuel Tank	979	398067	Arrestor-Spark	1330	270962	Manual-Repair
957C	799585	Cap-Fuel Tank	994	792245	Arrestor-Spark	1386	790848	Vane-Air (Autochoke System)
958	698183	Valve-Fuel Shut Off (Plastic)	994B	792245	Arrestor-Spark	1387	790849	Spring-Air Vane
966B	792040	Base-Air Cleaner Primer ----- Note ----- 795259 Base-Air Cleaner Primer Used on Type No(s). 0257, 1146, 1206, 6606.	997	696310	Shield-Debris	1388	790850	Screw (Air Vane) (Autochoke System)
			990	691959	Key Set			
			1005	691346	Fan-Flywheel			
			1019	494256	Kit-Label			
			1036		Label-Emissions (Available From A Briggs & Statton Authorized Dealer)			

K Included in Engine Gasket Set-Ref. No.358.

D Included in Carburetor Overhaul Kit-Ref. No. 121.

z Included in Carburetor Gasket Set-Ref. No. 977.

Included in Valve Gasket Set-Ref. No 1095.

Illustrations cover a range of engines. Parts shown without corresponding text may not be used on your specific engine.

3730-26

Assemblies include all parts shown in frames.

11/01/2011

Not for  
Reproduction

Not for  
Reproduction

