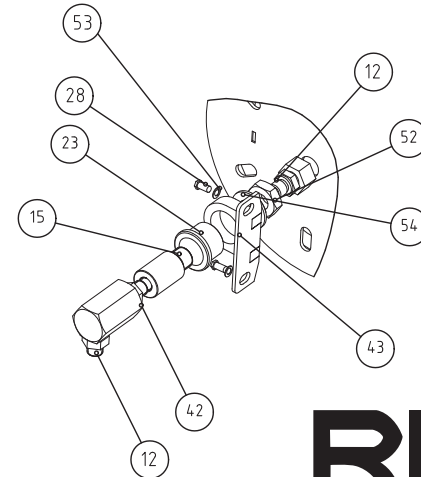
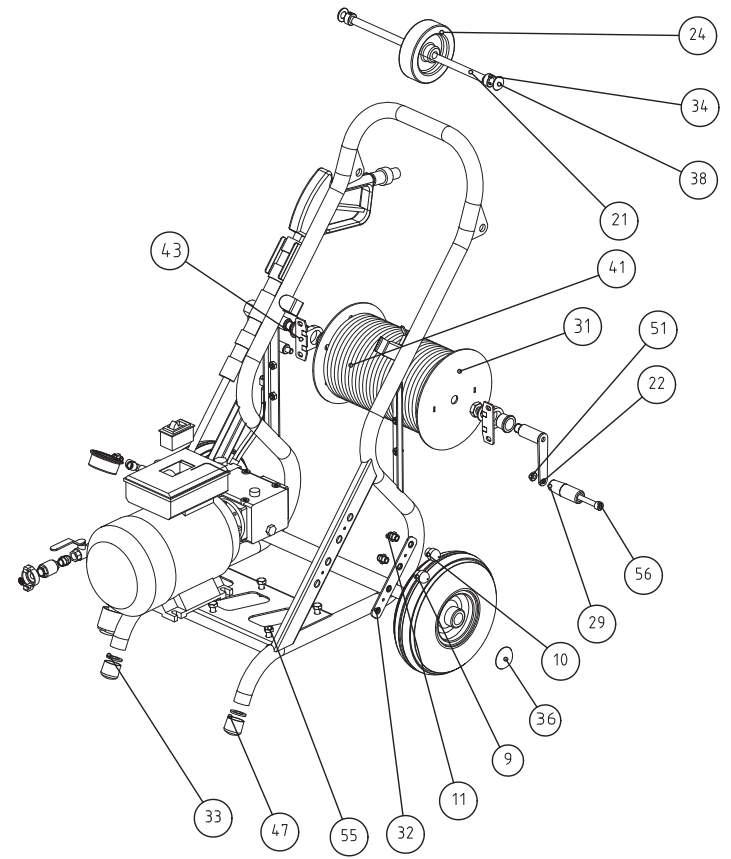
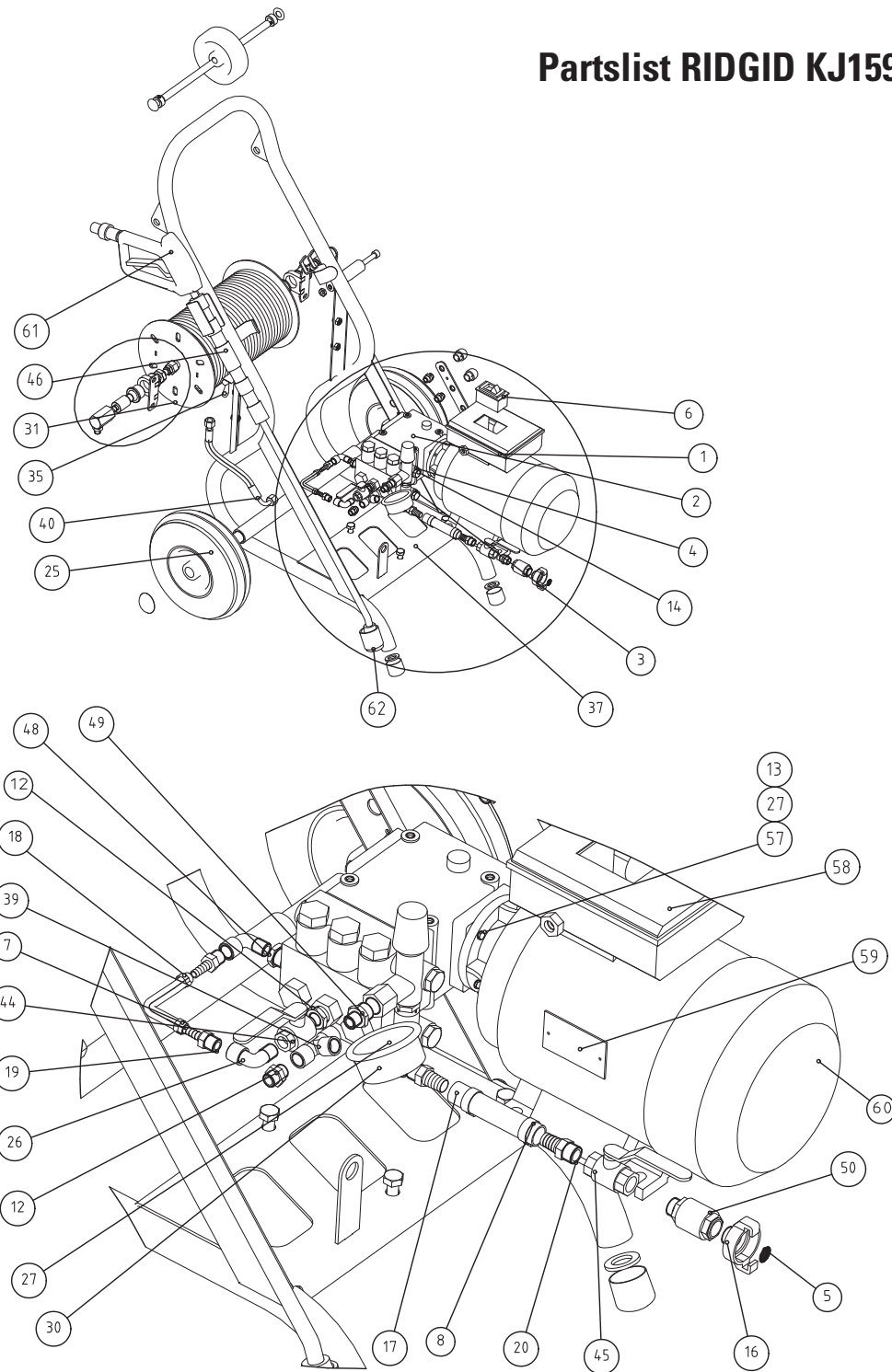


# Partlist RIDGID KJ1590 II



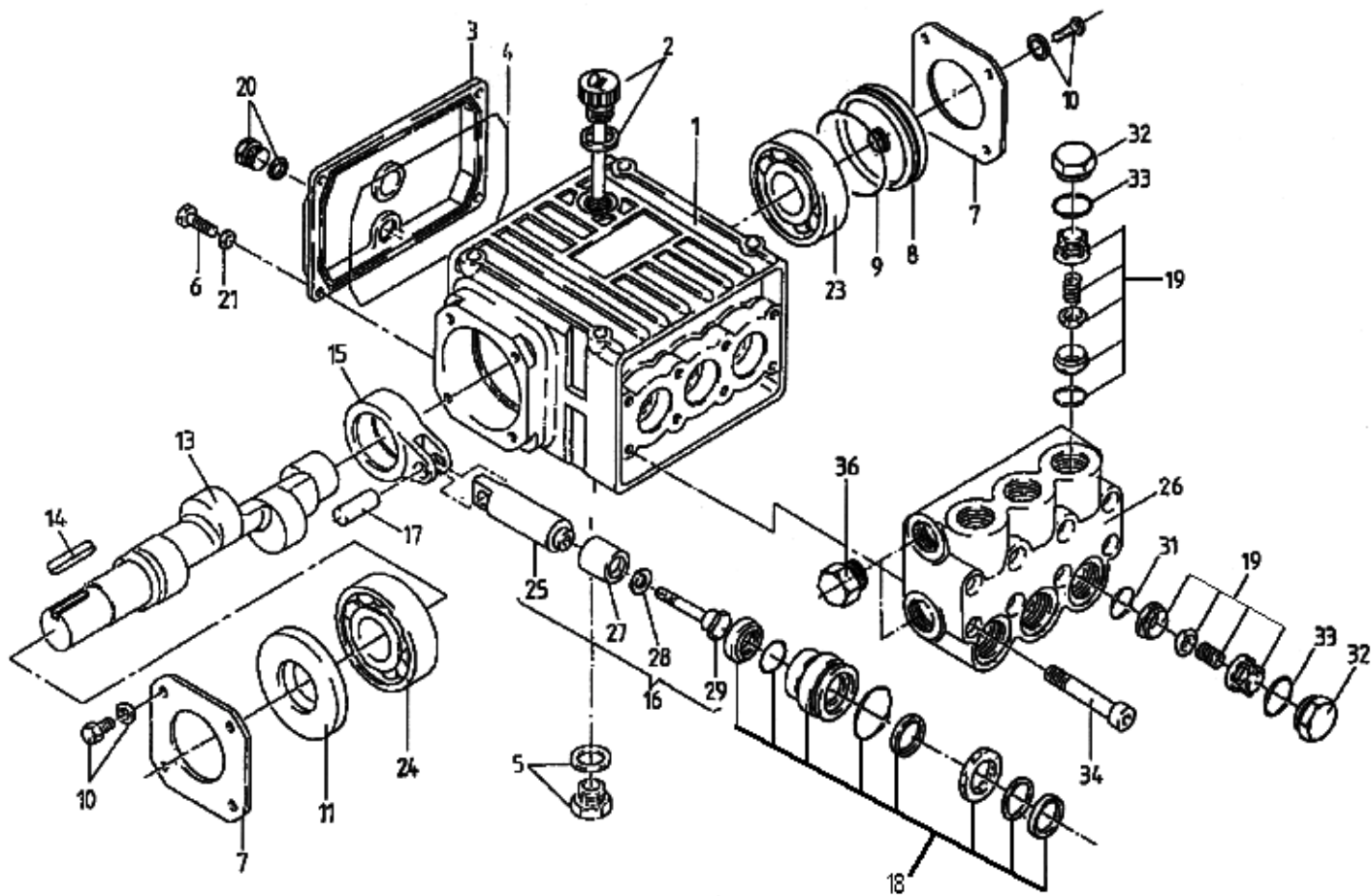
Revision 03/10/2005 (1/2)

**RIDGID**  
Tools For The Professional™

## Partslist KJ1590 II (2/2)

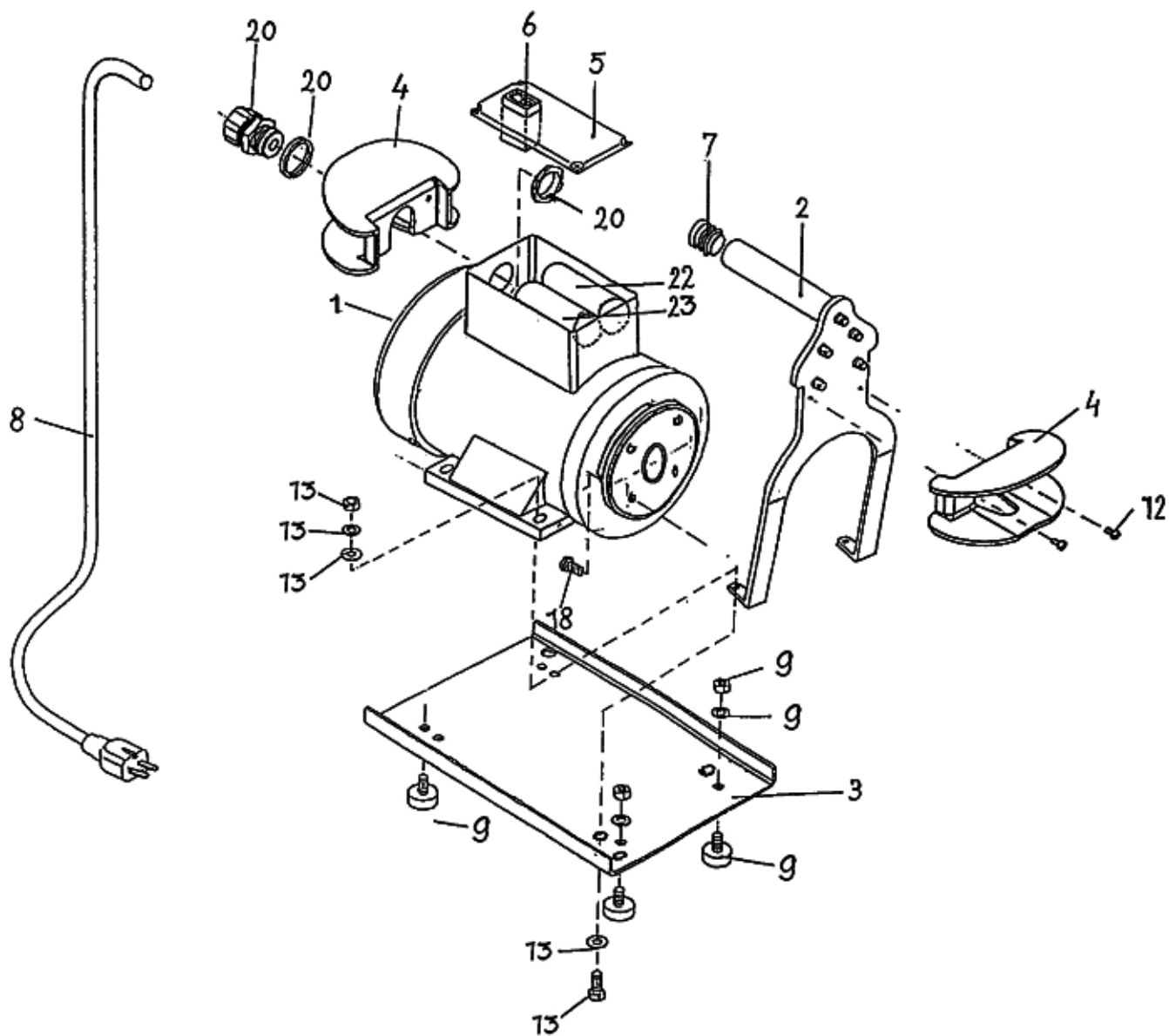
Part no.	Number Ridgid art.nr.	Description
1	60946	Motor complete
2	71986	H.D.pump NP10/15-140
3	*	Bolt (belongs to Unloader)
4	60936	Unloader ULA-150
5	60896	Strainer
6	60976	Switch assembly
7	88716	Hose
8	88726	Hose Clamp
9	58446	Front nozzle 1/4''
10	58436	Back nozzle 1/4''
11	88736	Messing nipple 1/4" bu
12	88746	Adapter A 04 BM 04 BM
13	61016	4*screw M6x25
14	88756	Locking Cover
15	88766	Shaft
16	60836	Quick conn. Geka 3/8"
17	88776	Suction hose
18	88786	Hose clamp
19	88796	Hose Tail
20	88396	Slangp. 3/8"bu x 13mm tule
21	88406	Shaft of upper wheel
22	88416	Shaft with lever
23	88426	Bearing bushing
24	88436	Wheel assembly
25	88446	Wheel
26	88456	Elbow
27	88866	ELVZ spring washer M6
28	88466	ELVZ 8.8 bolt M8 x 16
29	88476	Handle
30	60926	Manometer
31	88486	Hosereel

Part no.	Number Ridgid art.nr.	Description
32	88496	Nozzle support
33	88506	Washer M18 special
34	88516	Ring 15x25x12
35	88526	Lock-hose reel
36	88536	Starlock for wheel
37	88546	Basic Frame KJ1590 II
38	88556	Starlock for upper wheel
39	88566	T-piece 3x1/4" inw BSP
40	88576	Hose from pump-hosereel
41	87746	Main hose 20m x 1/4''
42	88586	Radial swivel joint
43	88596	Bracket
44	60876	1/4 ball valve type 340
45	88606	Shut-off Valve 3/8"
46	87696	Spraygun single lance (option)
47	88616	Plastic stop
48	88626	Reducing bush
49	88636	Reducing nipple
50	60816	Back Valve 3/8"
51	88646	ELVZ KL.8 bolt M8
52	88656	ELVZ KL.8 bolt M18
53	88666	ELVZ O-ring/2F M8
54	88676	ELVZ O-ring/2F M18
55	88686	ELVZ 8.8 bolt M10 x 30
56	88696	ELVZ 8.8 Tapbout M10 x 80
57	88836	ELVZ Sluitring/2F M6
58	88876	Relay Start 2.2kw
59	88706	Typeplate KJ1590 II
60	-	Fan 83186 Cover 83196
61	88846	Handle spraygun
62	88856	nozzle spraygun

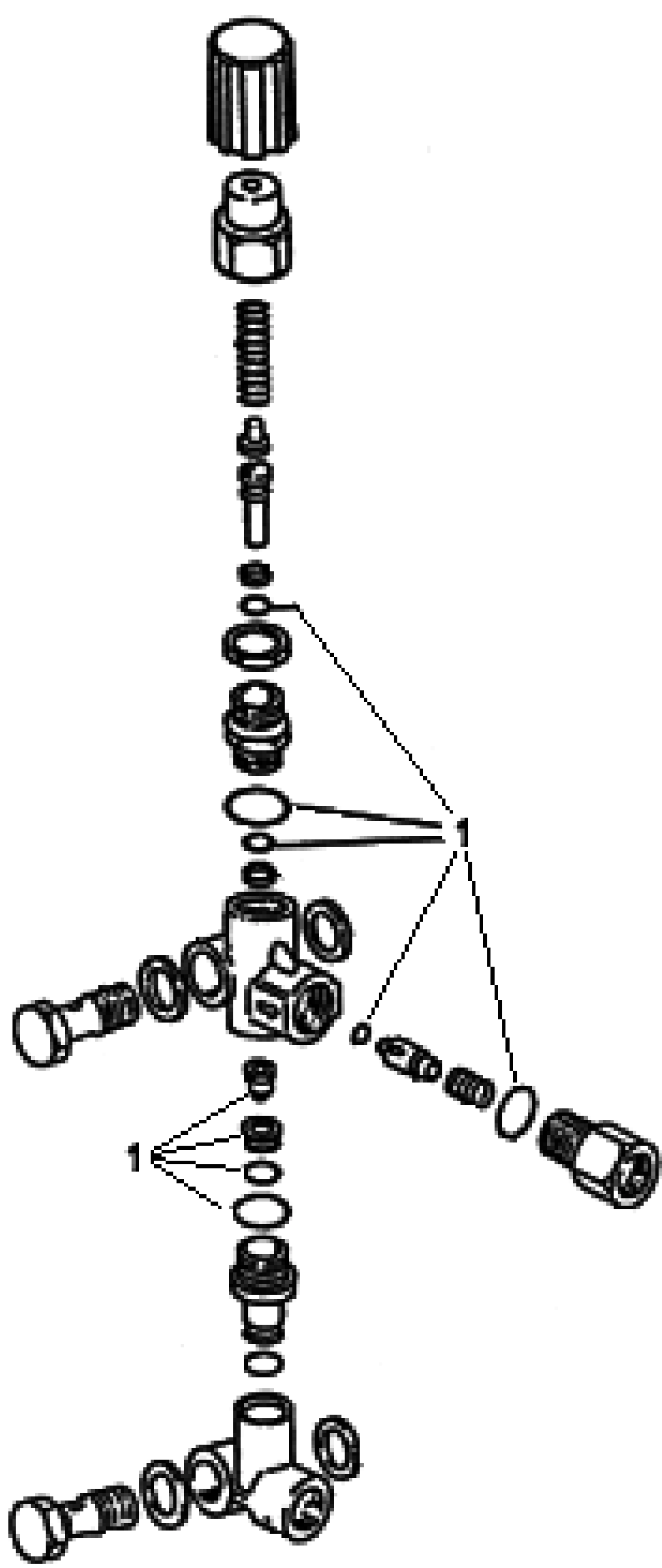


RefNo	CatNo	Description
1	61376	CRANKCASE
2	61386	OIL DIPSTICK
3	61396	CRANKCASE COVER
4	61416	O-RING
5	61426	PLUG ASSY
6	61436	CYLINDER SCREW
7	61456	BEARING COVER
8	61466	OIL SIGHT GLASS
9	61476	O-RING
10	61486	SCREW
11	61496	SEAL
13	61526	CRANKSHAFT
14	61556	KEY
15	61566	CONNECTING ROD
16	61576	PLUNGER ASSY 18MM DIA
17	61626	CROSSHEAD PIN
18	61086	SEAL REPAIR KIT
19	61096	VALVE REPAIR KIT
20	61406	DRAIN PLUG ASSY
21	61446	SPRING WASHER
23	61506	BALL BEARING
24	61516	BALL BEARING
25	61586	PLUNGER ASSY 18MM DIA
27	61596	PLUNGER PIPE
28	61606	TENSION SCREW
29	61616	COPPER WASHER
32	61646	PLUG
33	61656	O-RING
34	61666	HEX SCREW
36	61676	PLUG G 3/8

seal is set of 3  
valve is set of 6



RefNo	CatNo	Description
1	60946	MOTOR COMPLETE 230V
2	60956	HANDLE COMPLETE
3	60966	BASE
4	63937	CORD WRAP
5	60986	CONDUIT BOX COVER
6	60976	SWITCH ASSY
7	60996	END PLUG
8	39562	POWER CORD W/PLUG
9	61056	RUBBER MOUNT KIT
12	61046	PKG OF 2 SCREWS & NUTS M5
13	61056	RUBBER MOUNT KIT
18	61016	PKG OF 4 SCREWS M6 X 25
20	61036	STRAIN RELIEF
22	61066	START CAPACITOR
23	61076	CAPACITOR BC
-	60926	PRESSURE GAUGE - KJ1590



RefNo	CatNo	Description
1	61366 609333	REPAIR KIT



## Switchbox Parts

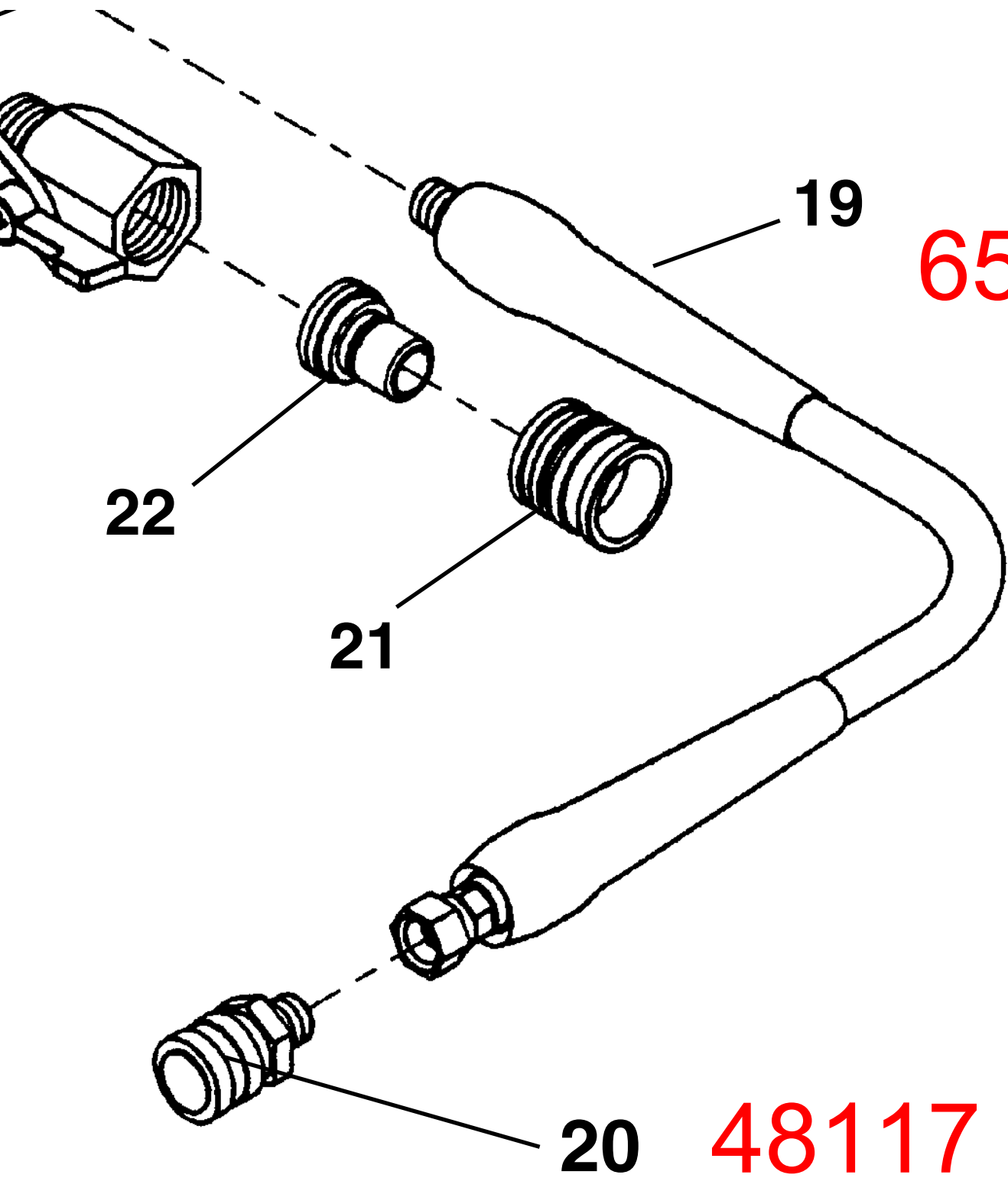
box with cover 60986

capacitor BC 61076

capacitor start 61066

startrelais 88876

switch assembly 60976

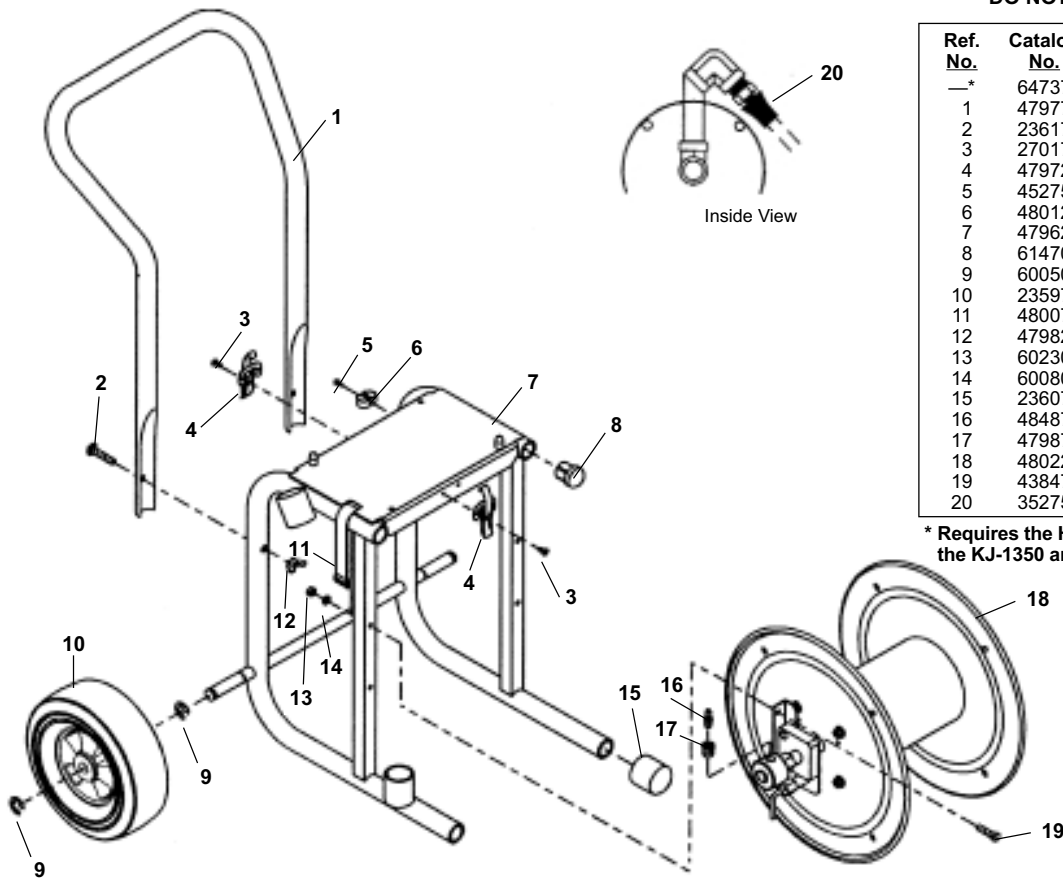


65212

48117

**H-30 Cart with Hose Reel**

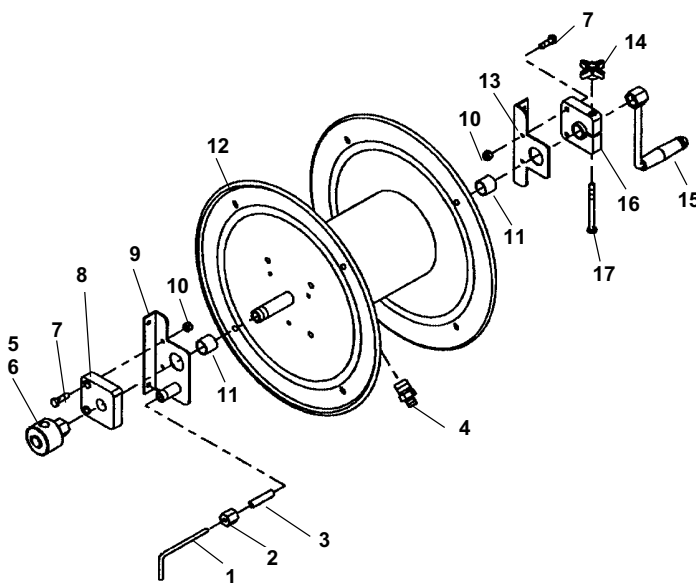
**NOTE: Order parts by Catalog Number Only.  
DO NOT order by Reference Number.**



Ref. No.	Catalog No.	Description
—*	64737	H-30 Cart with Hose Reel
1	47977	Cart Handle
2	23617	Carriage Bolt, 3/8" – 16 x 2" (2)
3	27017	Screw, #12 – 24 x 5/16" (4)
4	47972	Latch (2)
5	45275	Screw, #10 – 24 x 1/2"
6	48012	Spring Clip
7	47962	Frame Weldment
8	61470	Rubber Plug
9	60050	Retaining Ring (4)
10	23597	Wheel (2)
11	48007	Cinch Strap
12	47982	Wing Nut, 3/8" (2)
13	60230	Hex Nut, 5/16" (4)
14	60080	Lock Washer 5/16" (4)
15	23607	End Cap (2)
16	48487	Quick Connect, Male 1/4" NPT
17	47987	Reducer Bushing, 3/8" – 1/4" NPT F
18	48022	Hose Reel Complete
19	43847	Hex Screw, 5/16" – 18 x 1 1/2" (4)
20	35275	Spring

\* Requires the H-30A Adapter Kit, #62892, to mount the KJ-1350 and KJ-1750 Export models.

**Reel Components**



Ref. No.	Catalog No.	Description
—	48022	Hose Reel COMPLETE
1	67677	Reel Lock
2	67682	Lock Nut
3	67687	Sleeve
4	67692	Reducer Bushing, 1/2" – 1/4" NPT M
5	67697	Swivel Connector
6	67702	Service Kit, Swivel
7	85910	Hex Screw, 5/16" – 18 x 1" (2)
8	67707	Bearing Block, Plain
9	67712	Bracket, Lock Side
10	75110	Hex Nut, 5/16" – 18 (2)
11	67717	Spacer (2)
12	67722	Spool
13	67727	Bracket, Plain
14	67732	Knob, Drag Brake
15	67737	Crank
16	67742	Bearing Block, Drag
17	67747	Hex Screw, 5/16" – 18 x 3 1/2"

# Water Jetters

The highly flexible, lightweight hose blasts through sludge, soap and grease blockages. As you pull the hose back, it power washes the line, flushing debris away and restoring drain lines to their full, free-flowing capacity.

## With Pulse Action

If sharp bends in the line are difficult to negotiate, activate the Pulse Action to make the hose vibrate and push its way through.

- **Easy to use:**

Thrust propels the hose down the line. You simply guide the hose into the drain.

- **Pulse Action:**

Activate the pulse action to easily negotiate difficult bends and traps.

- **Portable:**

The optional cart rolls the jetter and hose to the job site. The jetter is easily removed from the cart in seconds for hard to reach drains or indoor applications.

- **Convenient:**

Standard equipment with KJ-2200 and KJ-3000 includes FV-1 foot valve. It makes remote or indoor operation simple and safe. You control the jetting action at the drain while leaving the jetter outdoors.

- **Versatile:**

Optional power washer package cleans cables, tools and other heavily soiled equipment.

**KJ-1590**  
Electric  
Water Jetter  
Flow: 15 l/min.  
Max. pressure:  
90 bar



- For 32mm through 150mm lines.
- Convenient cable storage
- Powerful 2.2kW motor with overload protection
- 3-plunger pump with pulse action.
- Dual-type inlet connector. Inlet filter, non-return valve and inlet valve.
- Clamps for easy removal of jetter from the cart.
- Heavy duty steel reel with 33m of 1/4" hose.

### Pressure Wash Package



Cat. No.	Model No.	Description	Weight kg
25901	KJ-1590-C	KJ-1590 with cart, 1/4" x 33m hose, 1/4" propulsion nozzle, 1/4" penetrating nozzle	72,5
25931	KJ-1590	KJ-1590 as above, with 1/4"x 15m hose, and no cart	35,0

### Accessories

See page 131

## Accessories

<b>Nozzles</b>	<b>KJ-1590</b>	<b>KJ-2200</b>	<b>KJ-3000</b>
Turbo nozzle 1/4"	58416	-	-
Heavy duty nozzle 1/4"	58426	-	-
Propulsion nozzle 1/4"	58436	64787	64817
Penetrating nozzle 1/4"	58446	64792	64822
Propulsion nozzle 1/8"	64802	64772	64802
Penetrating nozzle 1/8"	64807	64777	64807
Drop head nozzle 1/8"	64812	64782	64812
<b>Other</b>			
1/8" x 15m hose	47602	47602	47602
1/8" x 23m hose	49272	49272	49272
1/4" x 15m hose	47607	47607	-
1/4" x 33m hose	51587	51587	-
3/8" x 30m hose	-	-	64837
3/8" x 45m hose	-	-	64842
Hose leader 1/8"	50002	50002	-
Hose leader 1/4"	50007	50007	-
H-30 cart with 33m 1/4" hose	62877	62877	-
H-38 cart with 61m 5/8" hose	-	-	64902
Pressure wash package	62887	64077	64797
Foot valve (FV)	48157	48157	48157
Quick connect hose (reel to FV)	66732	66732	66732
Winter kit	48367	48367	48367
Nozzle cleaning tool	47542	47542	47542