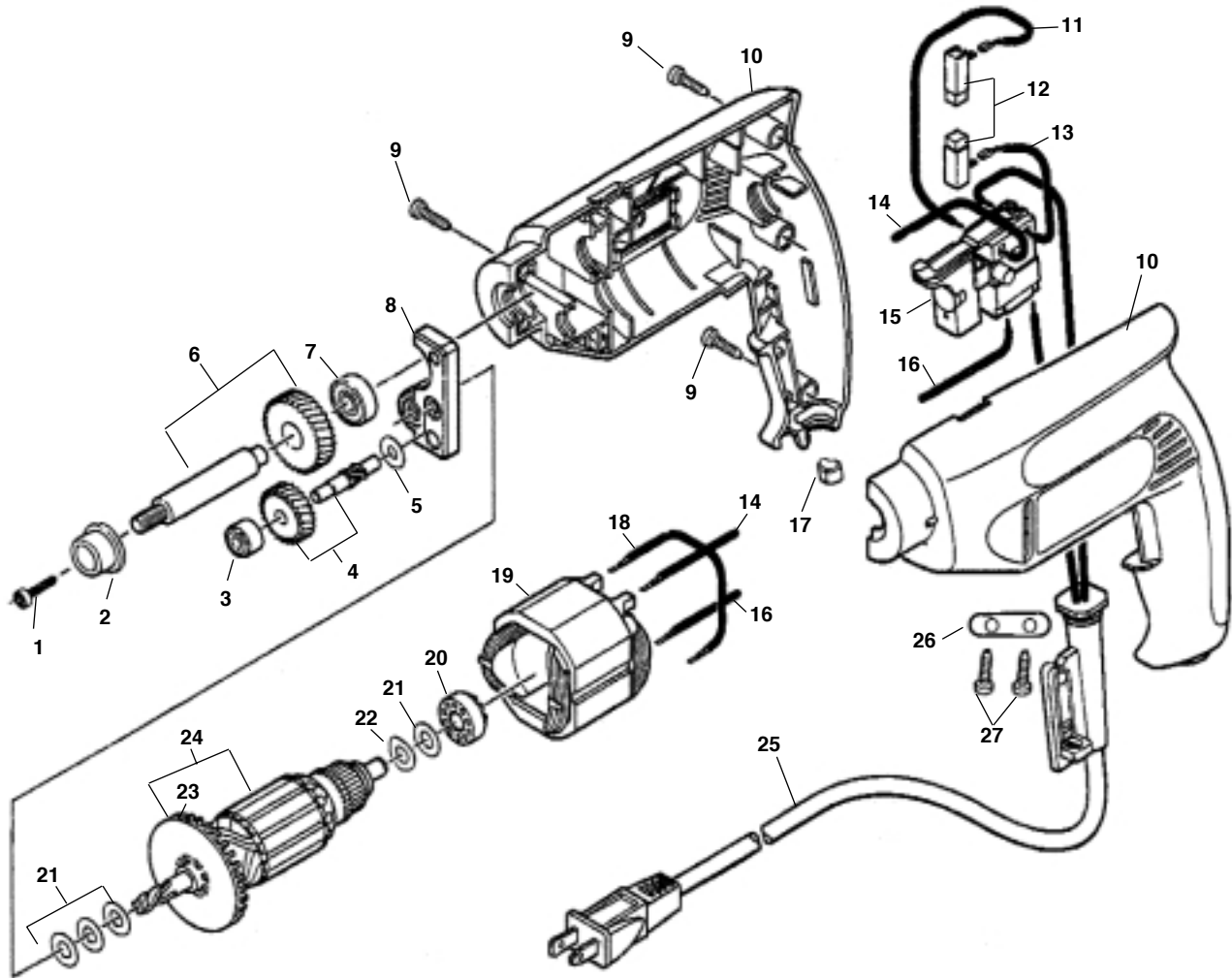


**NOTE: Order parts by Catalog Number only.  
DO NOT order by Reference Number.**

Ref. No.	Catalog No.	Description	Ref. No.	Catalog No.	Description
1	67962	A-39 Autofeed	12	47252	Gasket
2	55247	Cable Chuck	13	68927	Drum Front
3	68937	Pan Head Screw #10 - 24 (4)	14	68917	Drum Liner
4	55257	Chuck Adapter	15	69542	Screw #10 - 32 x 1" (4)
5	68957	Nose Piece	16†	68932	Drum Back
6	41512	Spiral Ring (2)	17†	73992	Power Unit (120V 60Hz)
7	41517	Hand Grip		68952	Power Unit (220/240V 50Hz)
8	68922	Sleeve	18†	39707	Power Unit, Charger, Battery (120V 60Hz)
9	68947	Clamp Springs (2)		41197	Power Unit, Charger, Battery (220/240V 50Hz)
10	55252	Spacer	19	42402	Screw (*LH Thread)
11	68942	Clips (4)			

† See Service Notes

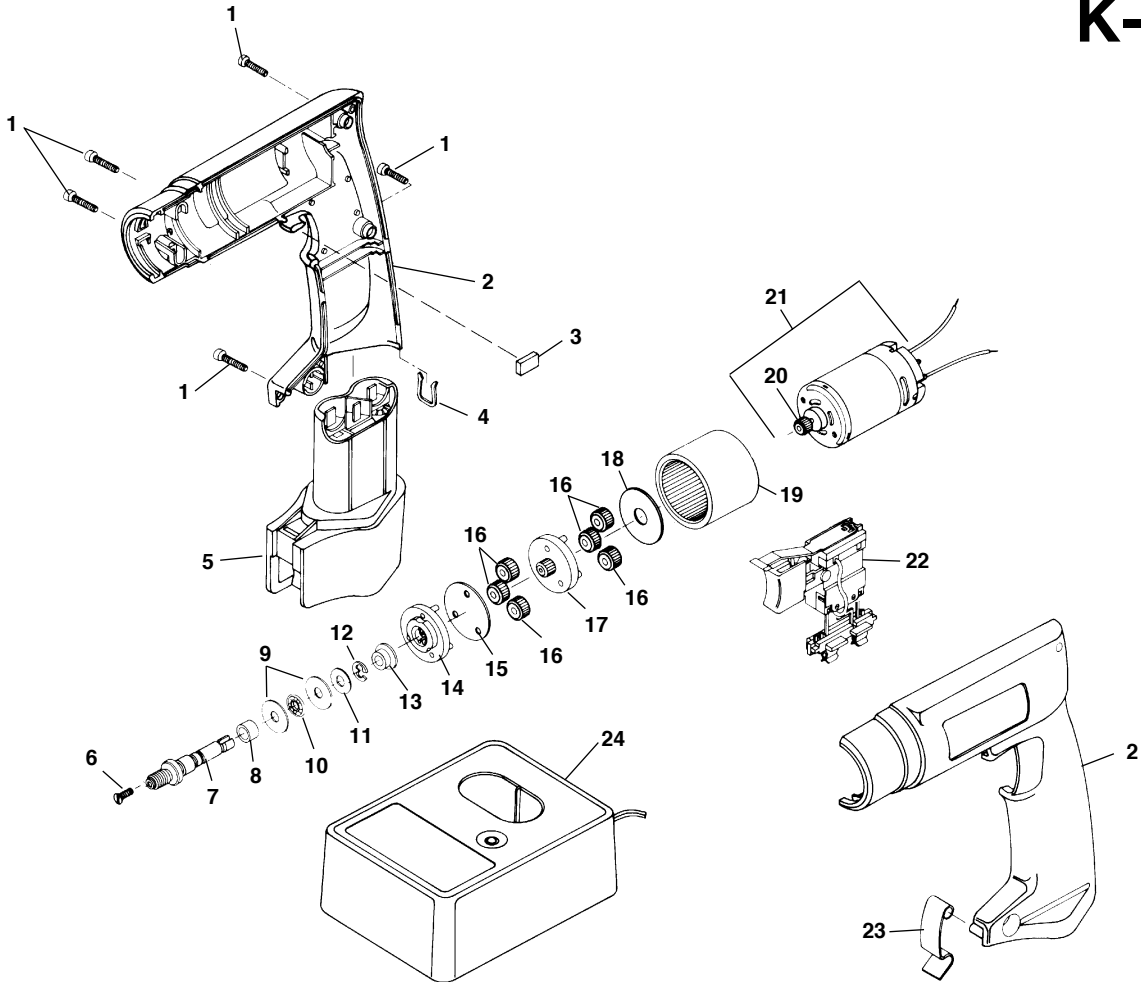
**K-39 Power Unit, 115V**



**NOTE: Order parts by Catalog Number only.  
DO NOT order by Reference Number.**

Ref. No.	Catalog No.	Description	Ref. No.	Catalog No.	Description
—	73992	Power Unit - 120V 60Hz	14	74312	Brown Lead Wire
1	42402	Screw L.H.	15	74332	Switch VSR
2	83042	Bushing	16	74337	Blue Lead Wire
3	74252	Needle Bearing	17	74342	Housing Plug
4	74257	Intermediate Gear	18	74352	Black Jumper Wire
5	74262	Shim 0.3mm	19	74357	Field 120V
6	74242	Spindle w/Gear Assembly	20	74362	Bushing
7	74247	Ball Bearing	21	74372	Washer (4)
8	74267	Bearing Block Assembly	22	74377	Spring Washer
9	74302	Screw (7)	23	74382	Fan
10	74307	Housing Assembly L. & R.	24	74387	Armature w/Fan 120V
11	74317	Black Brush Lead	25	74347	Cord 120V
12	74322	Brush and Holder Set	26	74662	Cord Clamp
13	74327	White Brush Lead	27	74667	Screw T-15 (2)

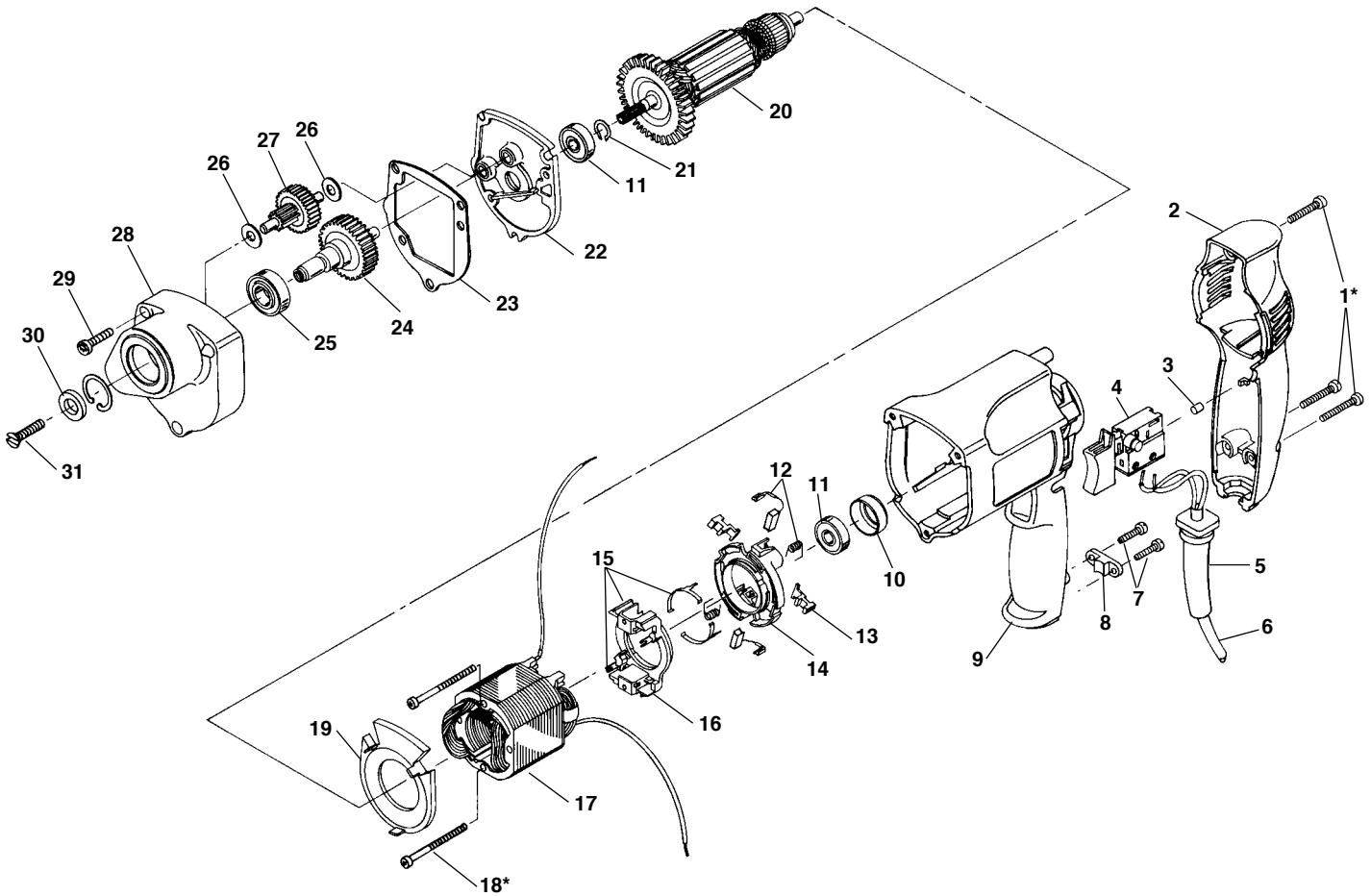
**Power Unit**



**NOTE: Order parts by Catalog Number only.  
 DO NOT order by Reference Number.**

<b>Ref. No.</b>	<b>Catalog No.</b>	<b>Description</b>	<b>Ref. No.</b>	<b>Catalog No.</b>	<b>Description</b>
	39707	Power Unit, Charger, Battery (120V 60Hz)	13	44487	Flange Bearing
	41197	Power Unit, Charger, Battery (220/240V 50Hz)	14	42507	2nd. Stage Carrier Assembly
1	42467	Screw Torx T-15 (5)	15	42512	Spacer
2	44492	Housing Set	16	42517	Planet Gear (6)
3	42602	Shield	17	42522	1st. Stage Carrier Assembly
4	42462	Retaining Clip	18	42527	Flat Washer
5	39717	Battery Pack 7.2V	19	42532	Ring Gear
6	42402	Screw (*LH Thread)	20	42592	Sun Gear
7	44472	Spindle Shaft	21	42542	Motor Assembly
8	44477	Sleeve Bearing	22	61842	Switch Assembly
9	42432	Washer (2)	23	42562	Latch
10	42437	Thrust Bearing	24	73907	Charger (120V 60Hz)
11	42427	Loading Spring Washer		73902	Charger (220V 50Hz)
12	44482	Retaining Ring		73912	Charger (240V 50Hz Australia)

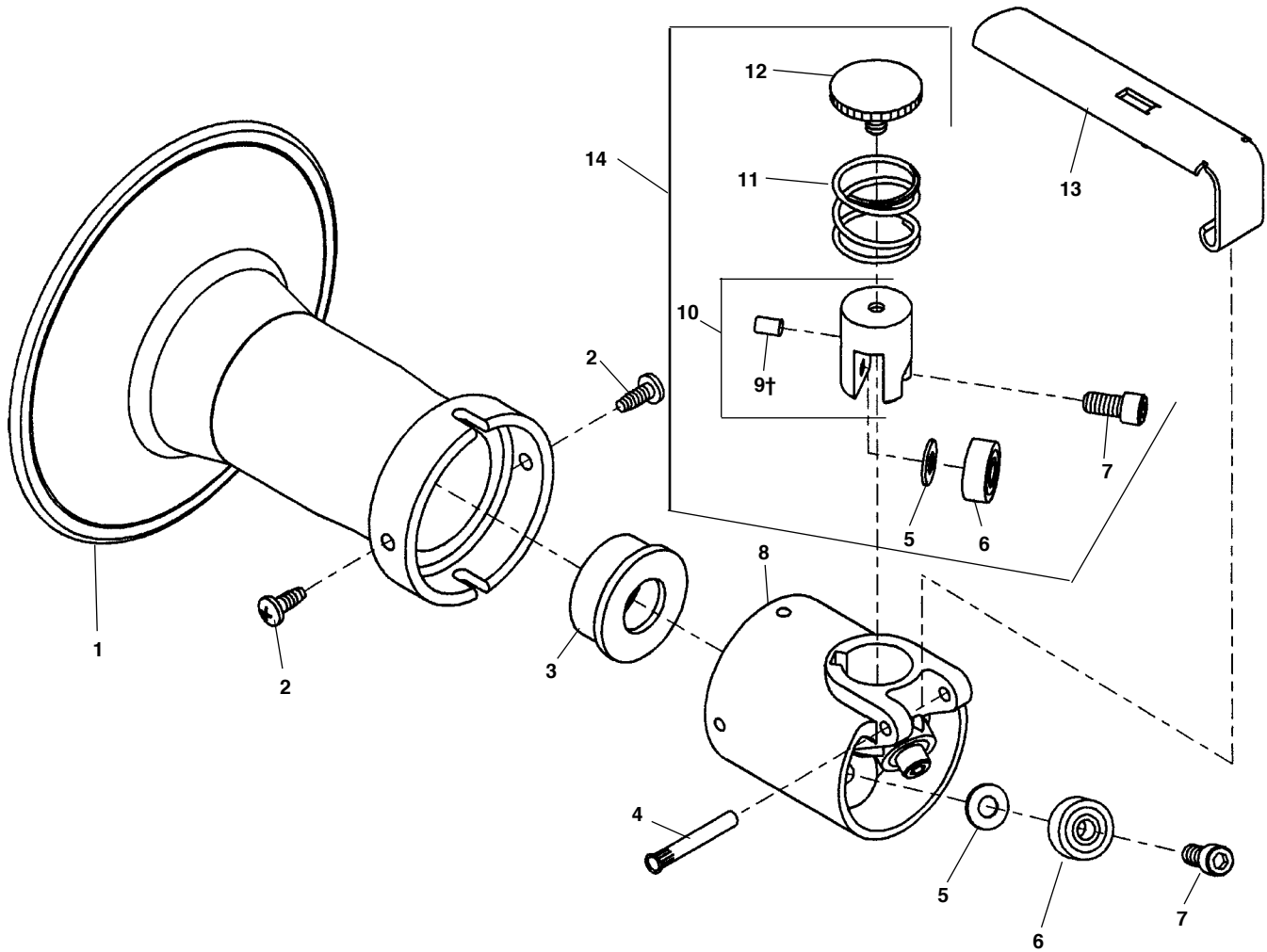
**220V European Power Unit**



**NOTE: Order parts by Catalog Number only.  
DO NOT order by Reference Number.**

Ref. No.	Catalog No.	Description	Ref. No.	Catalog No.	Description
—	68952	Power Unit - 220/240V 50Hz	16	42812	Stationary Contact Carrier
*1	42727	Screw (*Torx T20)	17	72597	Field
2	42732	Handle Cover	*18	42832	Screw
3	42737	Rubber Plug	19	42837	Baffle
4	72607	Switch	20	72602	Armature
5	42752	Strain Relief	21	42442	Retaining Ring
6	72617	Cord	22	42587	Bearing Plate Assembly
*7	42762	Screw (*Torx T15)	23	42862	Gasket
8	42767	Cord Clamp	24	42872	Output Shaft Assembly
9	42772	Motor Housing	25	42887	Ball Bearing
10	42777	Sleeve	26	42892	Washer
11	42782	Ball Bearing	27	42897	Int. Gear Assembly
12	72612	Brush & Spring Set	28	42907	Gear Housing Assembly
13	42797	Reverse Lever	29	42912	Screw (3)
14	42802	Rev. Switch & Brush Holder	30	42937	Spacer
15	42807	Contact Set	*31	42957	Screw (*L.H. Thread)

**Autofeed**



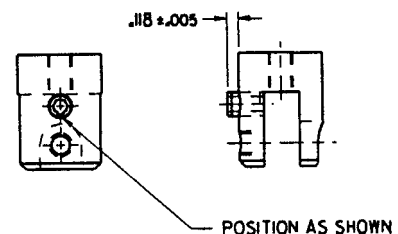
**NOTE: Order parts by Catalog Number only.  
DO NOT order by Reference Number.**

Ref. No.	Catalog No.	Description	Ref. No.	Catalog No.	Description
-	67962	A-39 Autofeed	7	39830	Socket HD Cap Screw (3)
-	67952	A-38PF Kit for K-38 Drain Cleaner	8	67967	Autofeed Body
1	41517	Hand Grip (A-38PF Only)	9†	54007	Roll Pin 1/4" x 3/8"
2	68937	Pan Head Screw 10-32 x 1" (4)	10	68017	Top Roller Holder
3	68957	Nose Piece (A-38PF Only)	11	68012	Return Spring
4	32107	Pivot Pin	12	68007	Top Adjustment Screw
5	67992	Flat Thrust Washer (3)	13	68002	Feed Actuator Lever
6	67997	Roller Bearing (3)	14	76597	Top Roller Holder Assembly

† - See Service Notes

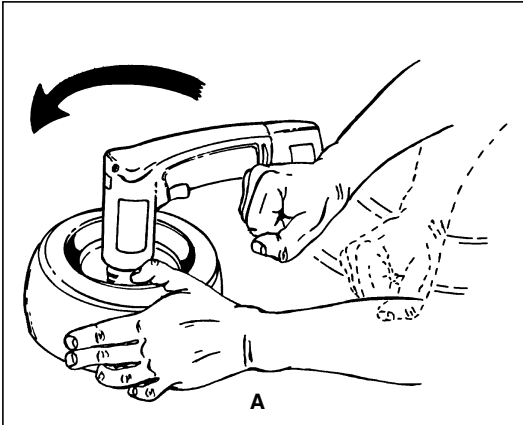
**Service Notes:**

- 1) Apply Texclad #2 grease to the following areas:
  - A) Top surface and threads of item #7 (Top Adjustment Screw)
  - B) Outside Dia. of item #10 (Roller Holder)
- 2) Locate slot in Roll Pin item #9 at six-o'clock position and press to dimension shown



**Service Notes**

**Service Notes**  
Remove left hand screw (Ref. 15) before removing power unit from drum back. Either method can be used.



OR

