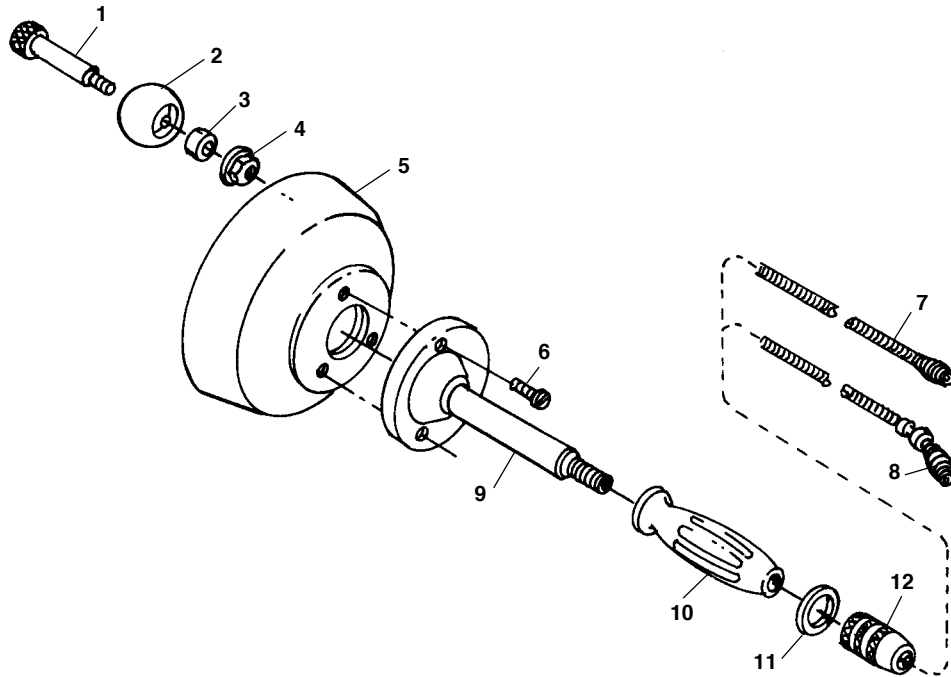


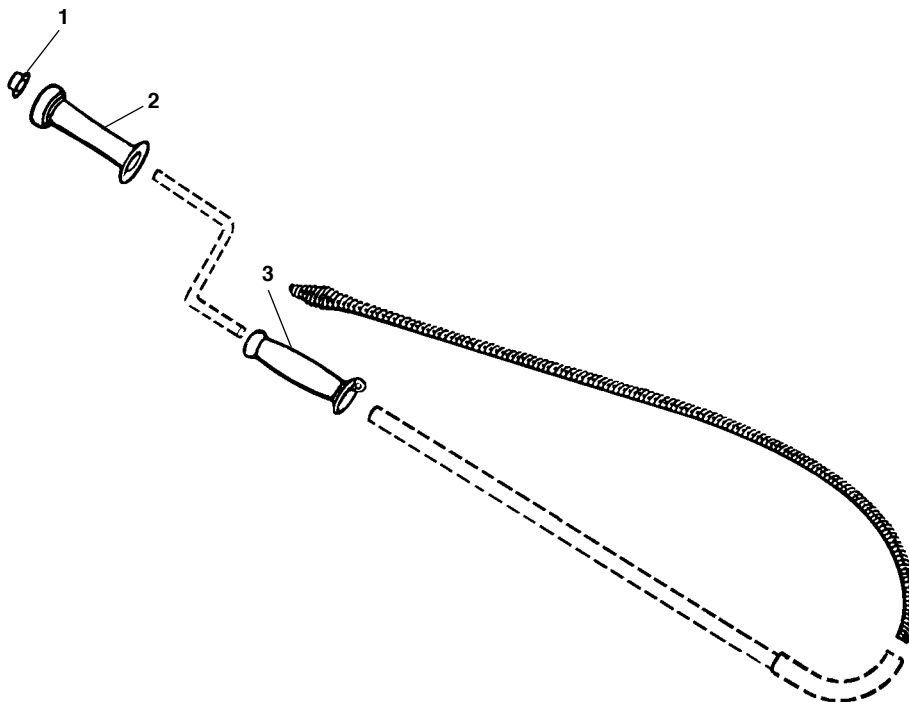
K-25 Hand Spinner



**NOTE: Order parts by Catalog Number only.
DO NOT order by Reference Number.**

Ref. No.	Catalog No.	Description
—	58890	K-25 - BP w/C-1-IC
—	58895	K-25 - DH w/C-2-IC
1	50632	Shoulder Screw
2	61745	Knob
3	50642	Spacer
4	27517	Lock Nut
5	50637	Cable Container Assembly (Includes Ref. 1,2,3,4,6)
6	61540	Screw
7	56782	C-1 - IC
8	56787	C-2 - IC
9	60735	Guide Tube & Flange
10	76765	Handle Grip
11	60725	Retaining Ring
12	60720	Chuck

K-4 Closet Auger



Ref. No.	Catalog No.	Description
—	59195	K-4 Closet Auger
1	23202	Cap Washer
2	23362	Crank Handle
3	23367	Tube Handle