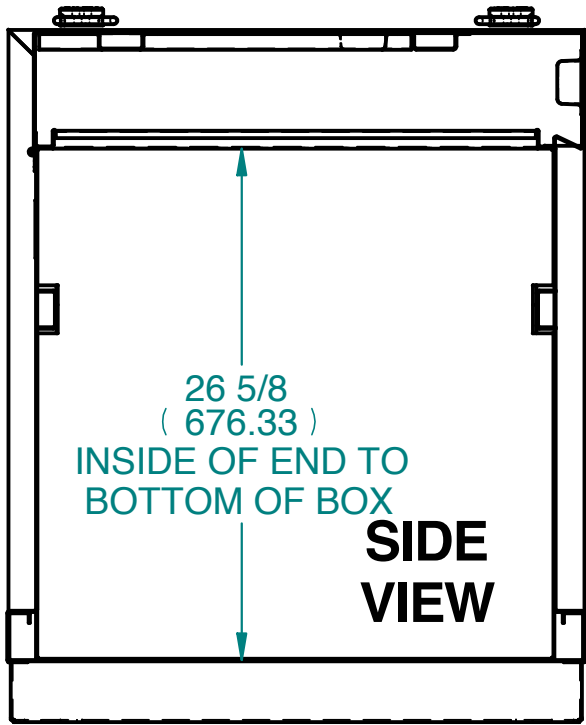
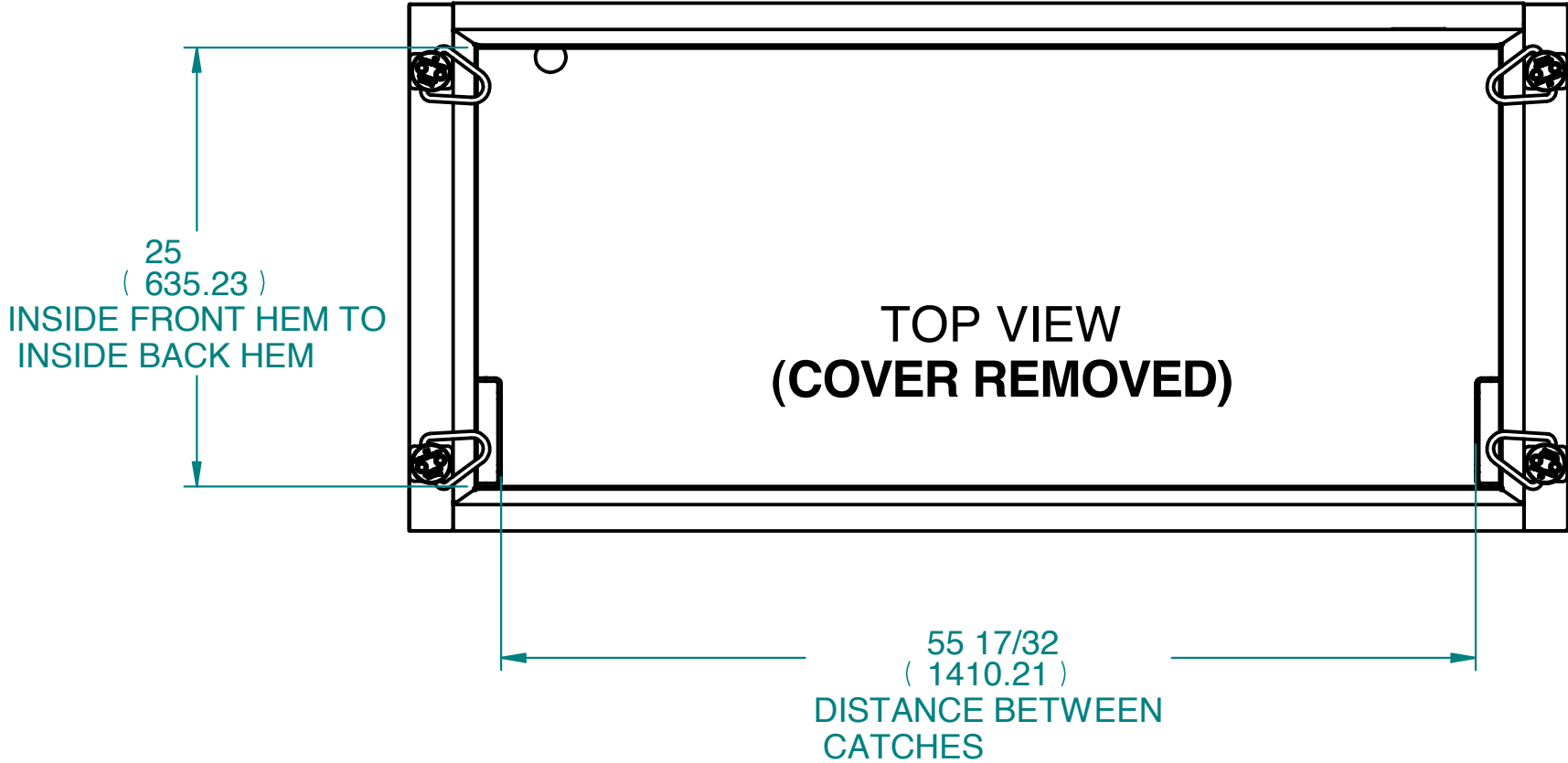


MODEL 1010 INSIDE DIMENSIONS



SECTION A-A

