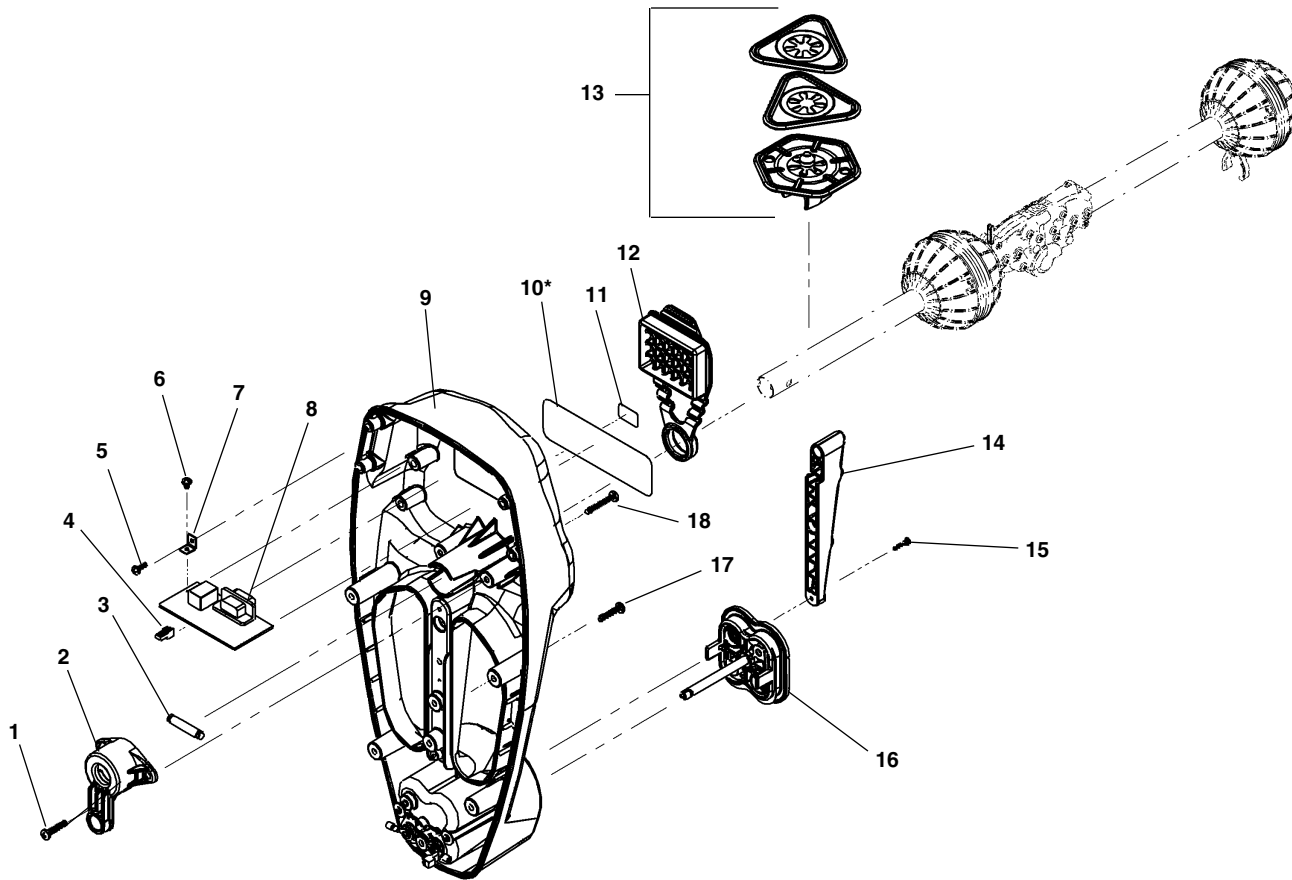


**NOTE: Order parts by Catalog Number only.  
DO NOT order by Reference Number.**

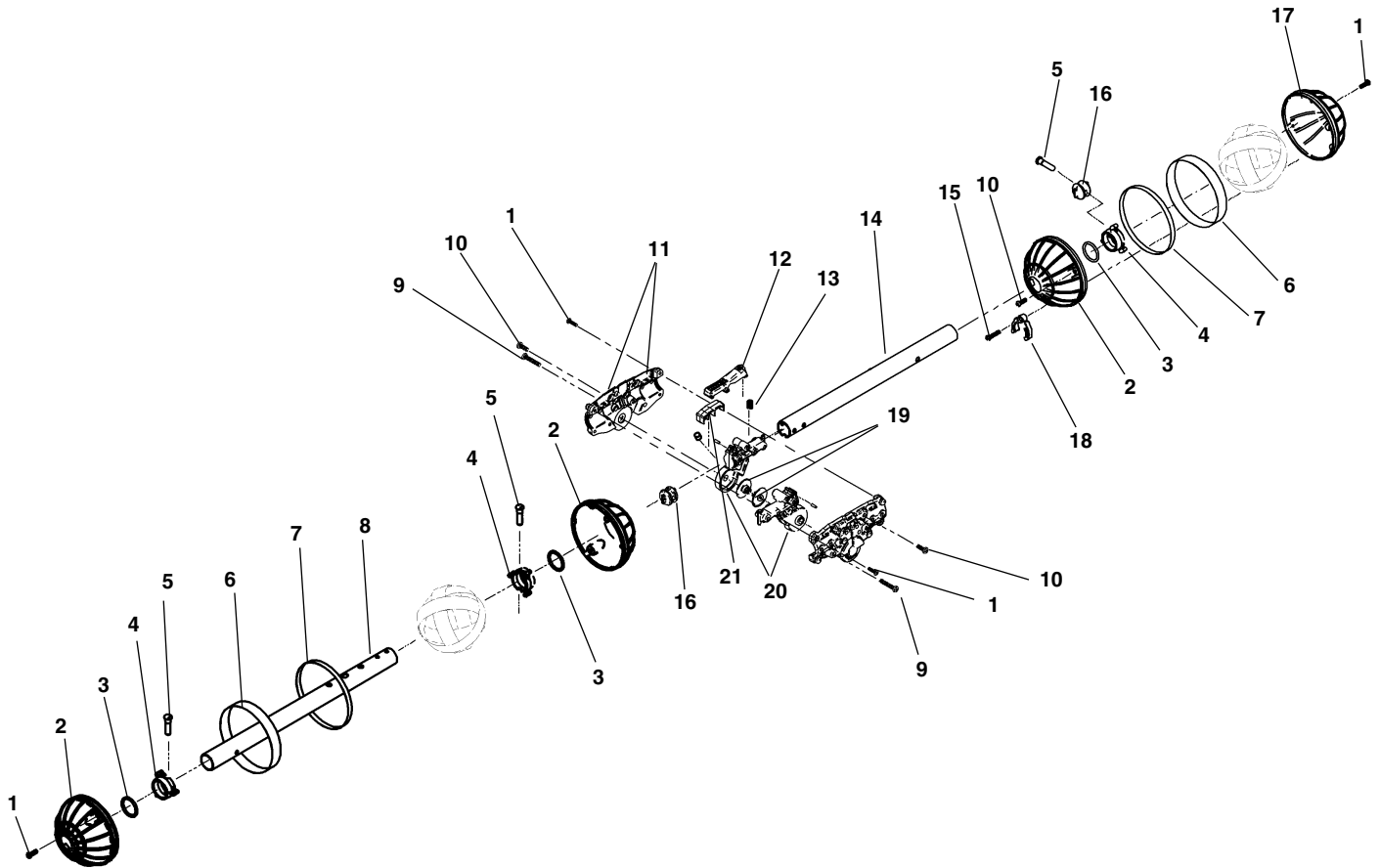
| Ref. No. | Catalog No. | Description                | Ref. No.                                       | Catalog No.      | Description                    |
|----------|-------------|----------------------------|--|------------------|--------------------------------|
| 1        | 25793       | Brow                       | 22   | 25903            | LCD Only                       |
| 2        | 25798       | Brow Label                 | 23   | 25908            | LCD Bottom Mount Bracket       |
| 3        | 21343       | Keypad                     | 24   | *                | Requires Factory Recalibration |
| 4        | 25808       | Label Set                  | 25   | 24488            | #4-20 x 3/8" Screw (7)         |
| 5        | 25813       | Handle Insert Pad          | 26   | *                | Requires Factory Recalibration |
| 6        | 25818       | Top Case Only              | 27   | 25913            | Power Board Mount              |
|          | 25823       | Top Case Assembly w/Keypad | 28   | 25918            | Foam Backing                   |
| 7        | 25833       | Handle Seals               | 29   | 25923            | Polyester Tape                 |
| 8        | 25833       | Case Seal                  | 30   | 25988            | Screw #4-40 x 3/8" (2)         |
| 9        | 25838       | LCD Window Gasket          | 31   | 25938            | Speaker Wire Foam Brace        |
| 10       | 25843       | LCD Window Adhesive        | 32   | 25943            | Adhesive Wire Clip             |
| 11       | 25848       | LCD Window Only            | 33   | 25948            | Speaker Asm                    |
| 12       | 25853       | Level Bubble               | 34   | 25953            | Flat Washer                    |
| 13       | 25858       | Level Bubble Holder        | 35   | 25958            | Speaker Gasket Set             |
| 14       | 25863       | LED Retaining Washer       | 36   | 25963            | Headphone Jack                 |
| 15       | 25868       | LED                        | 37   | 25968            | Retaining Ring                 |
| 16       | 25873       | Level Bubble Retainer      | 38   | 25973            | Headphone Jack Pad             |
| 17       | 25878       | Level Support Pad          | 39   | 25978            | Headphone Jack Cover           |
| 18       | 25983       | Screw #2 x 3/8" (2)        | <b>Following Item Not Shown</b>                |                  |                                |
| 19       | 25888       | Screw #4-20 x 5/16" (4)    | 26143  | Ribbon Cable Asm |                                |
| 20       | 25893       | LCD Support Gasket         | (Connects Keypad Ribbon To Main Circuit Board) |                  |                                |
| 21       | 25898       | LCD Top Mount Bracket      |  |                  |                                |



**NOTE: Order parts by Catalog Number only.  
DO NOT order by Reference Number.**

| Ref. No. | Catalog No. | Description  |
|----------|-------------|--|
| 1        | 26063       | Screw #8-16 x 3/8" (2)                               |
| 2        | 26068       | Tube Cap   |
| 3        | 26073       | Dowel Pin  |
| 4        | 26078       | Flat Flex Cable                                      |
| 5        | 24588       | Screw #6 x 3/8" (2)                                  |
| 6        | 24593       | Screw #6-32 x 3/16"                                  |
| 7        | 24583       | Right Angle Mounting Bracket (2)                     |
| 8        | 24563       | Serial Board Asm                                     |
| 9        | 26083       | Bottom Case Asm (Incl. Battery Contacts)             |
| 10       | *           | Serial Number Label<br>(Can Only Be Applied At Mfg.) |
| 11       | 26088       | CE Label (Europe Only)                               |
|          | 26113       | WEEE Label (Europe Only)                             |
| 12       | 26093       | Bottom Cover   |
| 13       | 12543       | Set Of Marker Chips                                  |
| 14       | 26098       | Bottom Handle Insert                                 |
| 15       | 24488       | Screw #4 x 1/2" (3)                                  |
| 16       | 23178       | Battery Cover Asm                                    |
| 17       | 26103       | Screw #8 x 3/4" (9)                                  |
| 18       | 24408       | Screw #8 x 1" (4)                                    |

**Following Item Not Shown:**  
26108 Flat Nylon Washer (13)  
(Fits Behind Screw Shown As Ref. 17)



**NOTE: Order parts by Catalog Number only.  
DO NOT order by Reference Number.**

| Ref. No. | Catalog No. | Description            | Ref. No. | Catalog No. | Description          |
|----------|-------------|------------------------|----------|-------------|----------------------|
| 1        | 24413       | Screw #6 x 1/2" (5)    | 12       | 23593       | Pivot Latch          |
| 2        | 24328       | Top Antenna Shell      | 13       | 23603       | Latch Spring         |
| 3        | 24358       | O-Ring                 | 14       | 26133       | Bottom Mast Tube     |
| 4        | 24318       | Antenna Pin Ring       | 15       | 26128       | Screw #6 x 3/4"      |
| 5        | 24373       | Antenna Pin            | 16       | 23613       | Tube Seal            |
| 6        | 26118       | Antenna Ball Label     | 17       | 26138       | Bottom Antenna Shell |
| 7        | 24363       | Double Sided Tape Roll | 18       | 24333       | Tube Lock            |
| 8        | 26123       | Top Mast Tube          | 19       | 23598       | Wire Reel            |
| 9        | 24408       | Screw #8 x 1" (4)      | 20       | 23588       | Center Pivot         |
| 10       | 24403       | Screw #8 x 1/2" (16)   | 21       | 23628       | Rear Pivot Cover     |
| 11       | 23663       | Outer Pivot Asm        |          |             |                      |