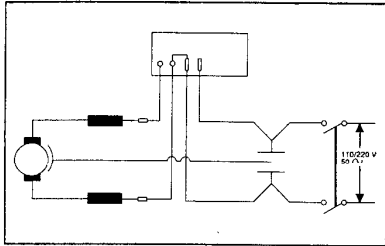


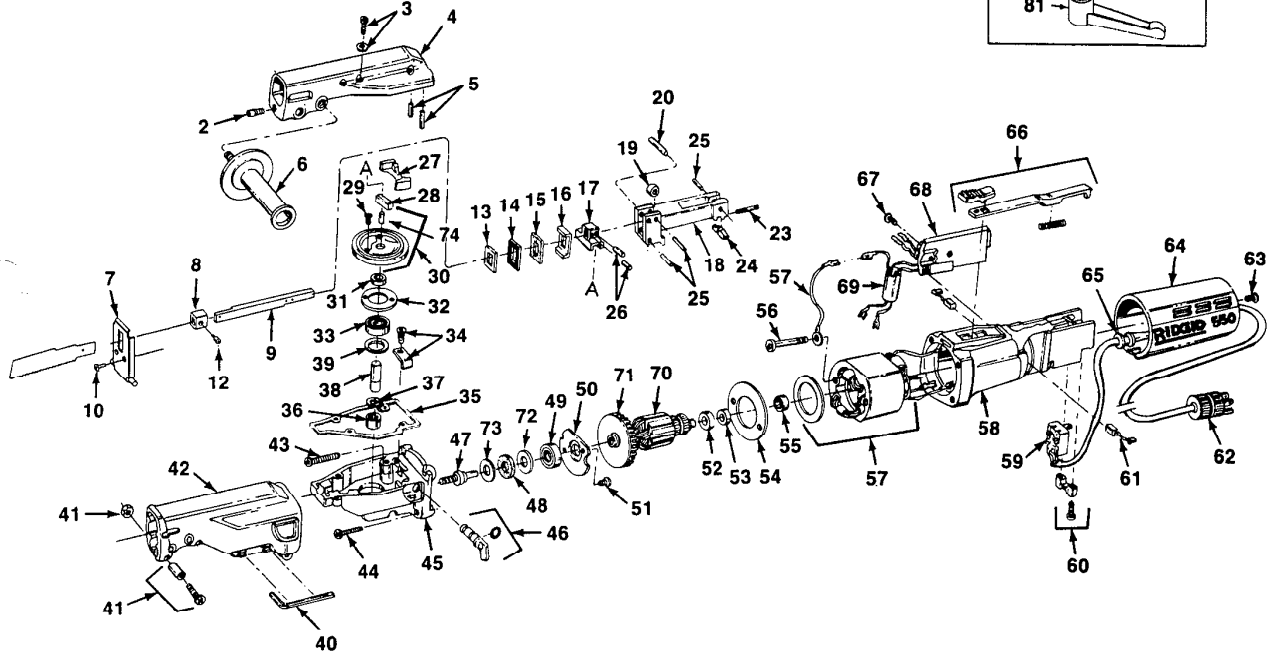
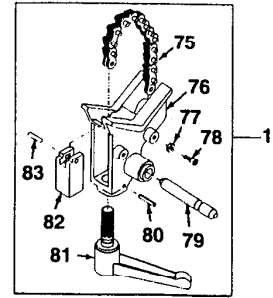
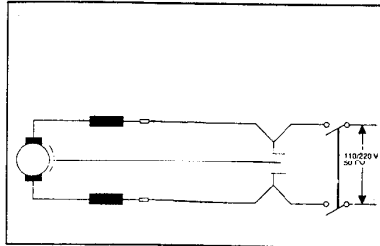
**MODEL 550-1 AND 550-2 RECIPROCATING SAW**  
(SERIAL NUMBER 9400 AND HIGHER)



550-1 WIRING DIAGRAM



550-2 WIRING DIAGRAM



Ref. No.	Catalog No.	Description	Ref. No.	Catalog No.	Description	Ref. No.	Catalog No.	Description
1	45297	Chain Vise Assy.	34	32536	Screw & Clip (Includes 46)	61	32676	Brushes 220V
2	32406	Screw	35	33906	Seal		34096	Brushes 110V
3	32426	Screw w/Washer	36	33886	Needle Sleeve	62	32716	Line Cord w/Plug 220V
4	34136	Top Cover	37	33876	Locking Ring		34776	Line Cord w/Plug 110V
5	33646	Spring (2)	38	33866	Bearing Bolt	63	32596	Screw (2)
6	32496	Side Grip Handle	39	33856	Distance Ring	64	32656	Brush housing 550-1
7	41156	Support plate 550-1 550-2	40	32586	Hex Wrench		41216	Brush housing 550-2
8	41186	Blade clamp (standard) (H20)	41	32576	Screw w/Nut and Sleeve (5)	65	34046	Rubber Sleeve
	41196	Blade clamp (small) (H12,7)	42	32556	Plastic Cover	66	32636	Switch Lever
9	41176	Lift rod. 550-1 550-2	43	33896	Screw (2)	67	32596	Screw
10	41166	Screw for support plate	44	32546	Screw (2)	68*	32626	Electronic Control 220V
12	41206	Blade locking screw	45	34126	Gear Case		34076	Electronic Control 110V
13	33726	Scraper	46	32536	Orbital Action Lever w/Screw and Clip (Inc. 34)	69	33216	Suppressor
14	33736	Foam Rubber Sealing Ring	47	33916	Pinion w/Bushing	70	40846	Armature 550-1 230V
15	33756	Felt - Sealing Ring	48	33936	Sealing Ring		41106	Armature 550-1 115V
16	33746	Holding Plate	49	33956	Bearing 6000Z		40866	Armature 550-2 230V
17	33766	Forked Element	50	33966	Bearing Cap		41116	Armature 550-2 115V
18	33626	Carrier	51	33976	Oval Screw (2)	71	34006	Fan
19	33636	Roll	52	34016	Bearing 607Z	72	33946	Washer
20	33616	Pin	53*	34026	Magnet Ring	73	33926	Washer
23	33676	Spring Pin	54	34036	Air Guide	74	34796	Crown Wheel Pin
24	33686	Sliding Shoe	55	34056	Bearing Ring	75	47262	Chain
25	33696	Pin (3)	56	34066	Screw (2)	76	47257	Vise Base
26	33776	Spring Pin (2)	57	32686	Field 550-1 230V	77	79495	10-32 Hex Nut
27	32486	Orbital Action Guide		34086	Field 550-1 115V	78	46765	10-32 Screw
28	33786	Sliding Shoe		41136	Field 550-2 230V	79	47267	Pivot Shaft
29	34336	Screw (3)		41146	Field 550-2 115V	80	41545	Roll Pin
30	33796	Crown Wheel w/Pin	58	40856	Motor housing 550-1/-2	81	47272	Indexing Handle
31	33836	Distance Bushing	59	32646	Switch	82	47277	Slide
32	33806	Bearing Cap	60	32666	Cable Clamp	83	40332	Pin
33	33846	Ball Bearing					33036	Metal Case
							34116	Liner for case

\* 550-1 Only

OLD STYLE 33986 = 159 mm

146mm