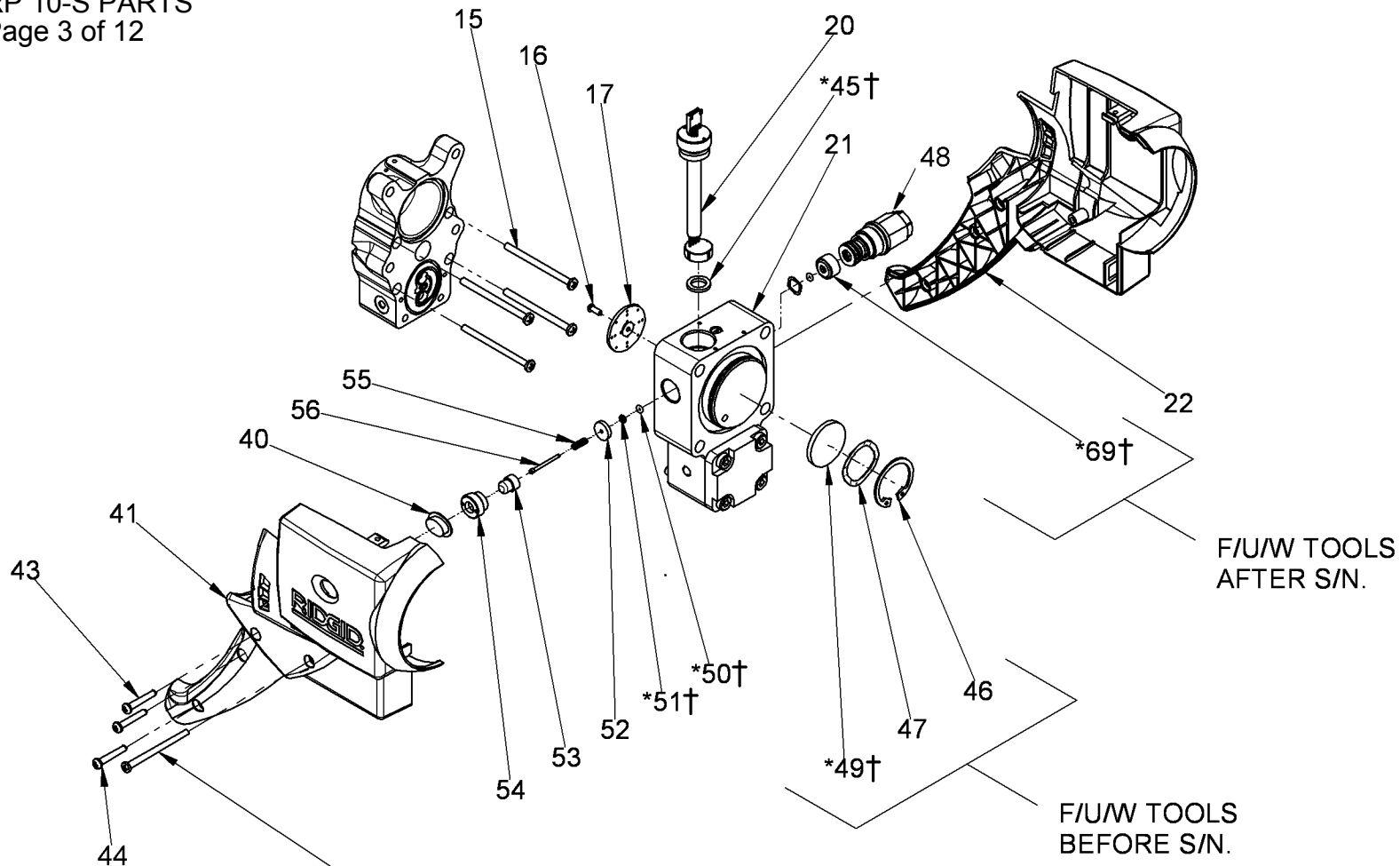
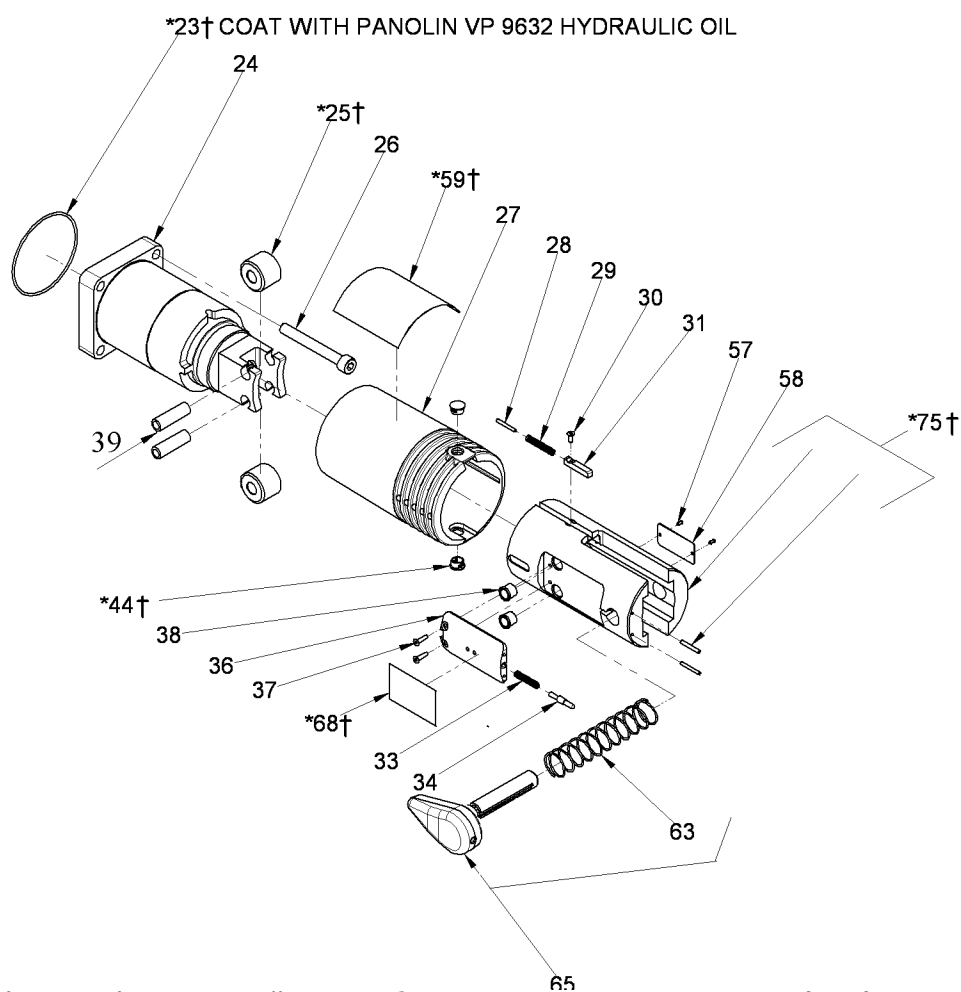


Drawing 01 Assembly

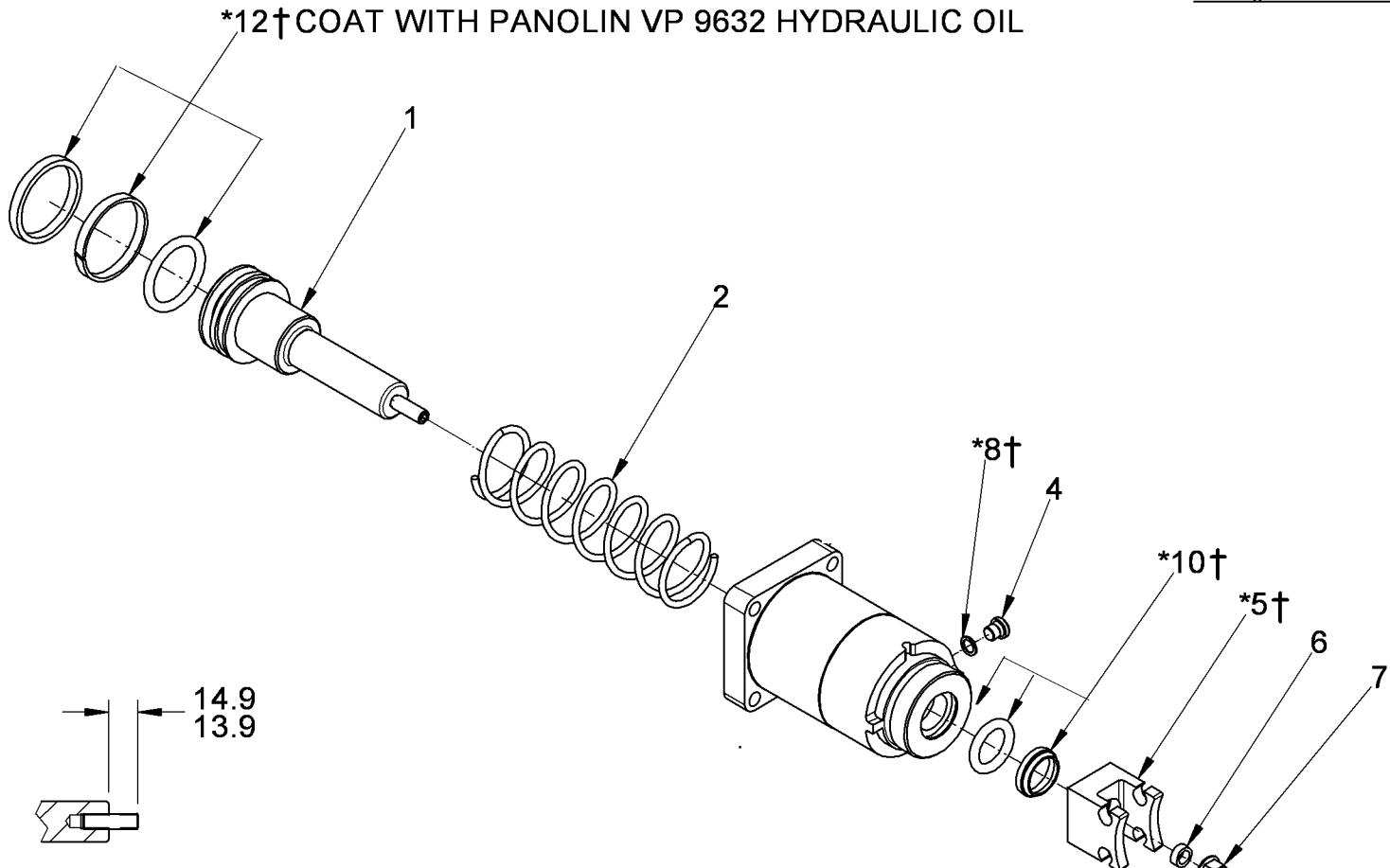
Drawing N°	Ref N°	Catalog N°	Description	Quantity per pack
1	1	91106	MOTOR, ASM COMPLETE (1)	1
1	2	91116	NUT, M3 (2)	20
1	3	91126	COVER, BOTTOM CIRCU (1)	10
1	4	91136	BOARD, CIRCUIT (1)	1
1	5	91146	SCREW, PAN HD M3X6 (2)	20
1	6	91156	COVER, CIRCUIT BOARD (1)	10
1	7	91166	SCREW, PAN HD M4X20 (1)	10
1	8	91176	COVER, SCREW HOLES (1)	10
1	9	91186	SCREW, M3 X 12 PAN HD (2)	20
1	10	91196	SCREW, THD FORM M3X8 (2)	20
1	11	91206	M3 X 10 SOC BUT HD (1)	10
1	12	91216	BEARING, BALL (1)	10
1	13	91226	GEAR, IDLER W/COUPL (1)	1
1	14	91236	BEARING, BALL (1)	1
1	62	91666	CKT BRD INSULATION (1)	10



Drawing N°	Ref N°	Catalog N°	Description	Quantity per pack
2	15	91246	SCREW, THREAD FRMNG (4)	40
2	16	91256	SCREW, M3X8 FIL HD (1)	10
2	17	91266	DIFFUSER, OIL (1)	1
2	20	91276	PRESSURE TRANSDUCER (1)	1
2	21	91796	PUMP TANK BLOCK ASSY (1)	1
2	22	91296	GUARD, RIGHT KNUCKL (1)	1
2	40	91466	BUTTON, PLASTIC (1)	10
2	41	91476	GUARD, LEFT KNUCKLE (1)	1
2	42	91486	SCREW, M4 x 55 PAN HD (1)	10
2	43	91496	SCREW, THREAD FORMI (3)	30
2	45	91516	SEAL RING (1)	10
2	46	91526	INT SNAP RING, 32mm (1)	10
2	47	91536	WAVE SPRING WASHER (1)	10
2	48	91546	VALVE ASM PRESSURE (1)	1
2	49	91556	FILTER, 20U (1)	10
2	50	91566	O-RING, .070 X .070 (2)	20
2	51	91576	BACKUP RING, 8-004 (1)	10
2	52	91586	RING, SUPPORT (1)	10
2	53	91596	BUTTON (1)	10
2	54	91606	DISK, FIXING (1)	10
2	55	91616	SPRING, COMP 2.1 X (1)	10
2	56	91626	POLE, PRESSURE (1)	10
2	69	92226	FILTER (1)	10
2	70	92366	THREAD FORMING SCREW (1)	10

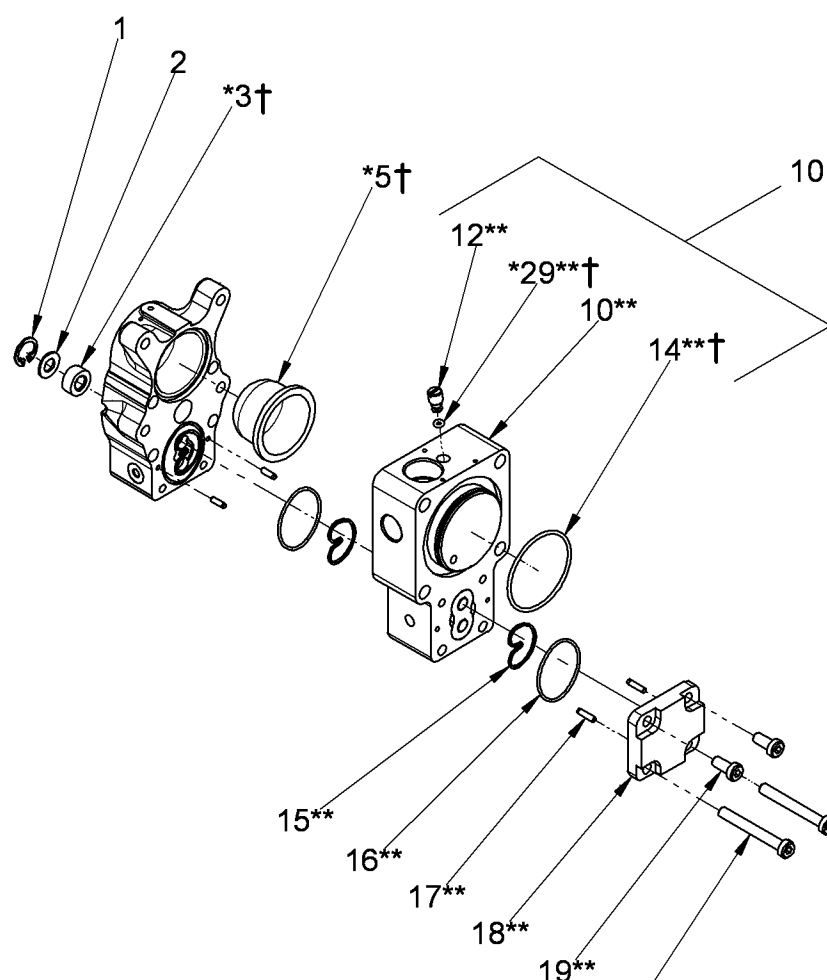


Drawing N°	Ref N°	Catalog N°	Description	Quantity per pack
3	23	91306	O-RING, 66.4 X 1.78 (1)	10
3	24	91316	CYLINDER (1)	1
3	25	91326	ROLL (2)	2
3	26	91336	SCREW, M8X65 CHS HD (4)	40
3	27	91346	CYLINDER COVER (1)	1
3	28	91356	PIN, DISTANCE (2)	20
3	29	91366	SPRING, COMP 3.2 X (2)	20
3	30	91376	SCREW, M3 X 8 CNTSN (2)	20
3	31	91386	WEDGE, FIXING (2)	20
3	33	91406	SPRING (1)	10
3	34	91416	PIN, JAW INTERLOCK (1)	10
3	36	91426	COVER, ROLR PIN (1)	10
3	37	91436	SCREW, M3 X 12 CNTS (2)	20
3	38	91446	END STOP (2)	20
3	39	91456	AXLE, ROLLING (2)	20
3	44	91506	PLUG (2)	20
3	57	91636	DRIVE SCREW (2)	20
3	58	91646	NAME PLATE (1)	1
3	59	91656	WARNING DECAL (1)	10
3	65	91706	JAW MOUNTING PIN ASSY (1)	1
3	68	92216	DECAL, JAW PIN CLOSURE (1)	10
3	74	92346	PIN, DOWEL (2)	20
3	75	92296	CYLINDER HEAD ASSY (1)	1



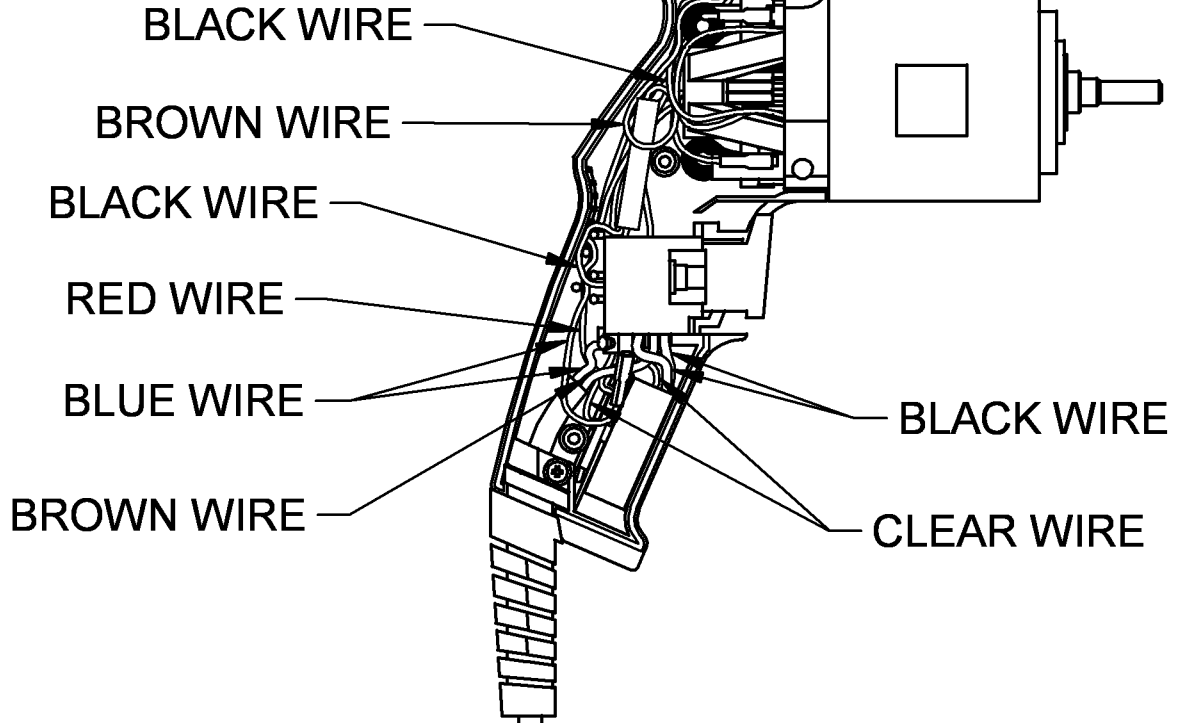
Drawing N°	Ref N°	Catalog N°	Description	Quantity per pack
4	1	91906	PISTON Assembly (1)	1
4	2	91916	SPRING, COMPRESSION (1)	1
4	3	91926	CYLINDER RP10S (1)	1
4	4	91936	PLUG, M8 X 1 (1)	10
4	5	91946	CARRIAGE, ROLLER (S) (1)	1
4	6	91956	SPACER, ROLLER CARR (1)	10
4	7	91966	LOCKNUT M8 (1)	10
4	8	91976	RING, SEALING (1)	10
4	10	92326	Seal set cylinder	10
4	12	92336	Seal set piston	10

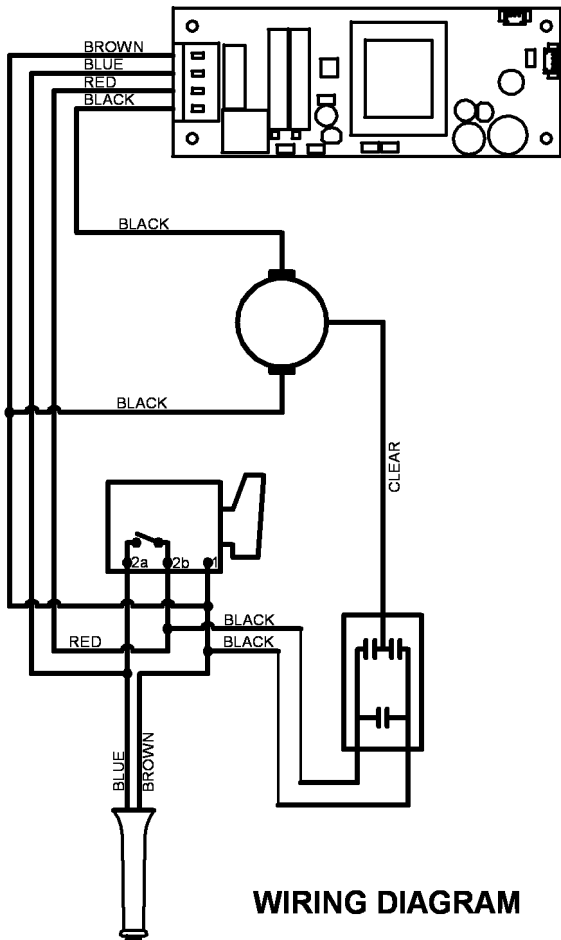




Drawing N°	Ref N°	Catalog N°	Description	Quantity per pack
5	1	91736	SNAP RING (1)	10
5	2	91746	SPACER, LIP SEAL (1)	10
5	3	91756	SEAL, LIP PUMP DRIV (1)	10
5	5	91776	BLADDER (1)	10
5	14	92206	O-Ring 46 x 2 (1)	10
5	14	91816	O-Ring 47.35x1.78 (1)	10
5	15	91826	O-RING, PUMP END SE (2)	20
5	16	91836	O-RING, PUMP END ST (2)	20
5	17	91846	PIN, DOWEL 3X 6 (4)	40
5	19	91866	SCREW, M6X14 SHCS (2)	20
5	20	91876	SCREW, SCHD M6X50 (2)	20
5	29	91896	O-RING, .101 X .070 (1)	10
not shown		92176	Service Kit 20000 cycles	1
not shown		83276	Case metal rp10s	1
not shown		92316	Hydraulic oil P9632	1

RED WIRE  
BLUE WIRE  
BROWN WIRE  
BLACK WIRE





## WIRING DIAGRAM