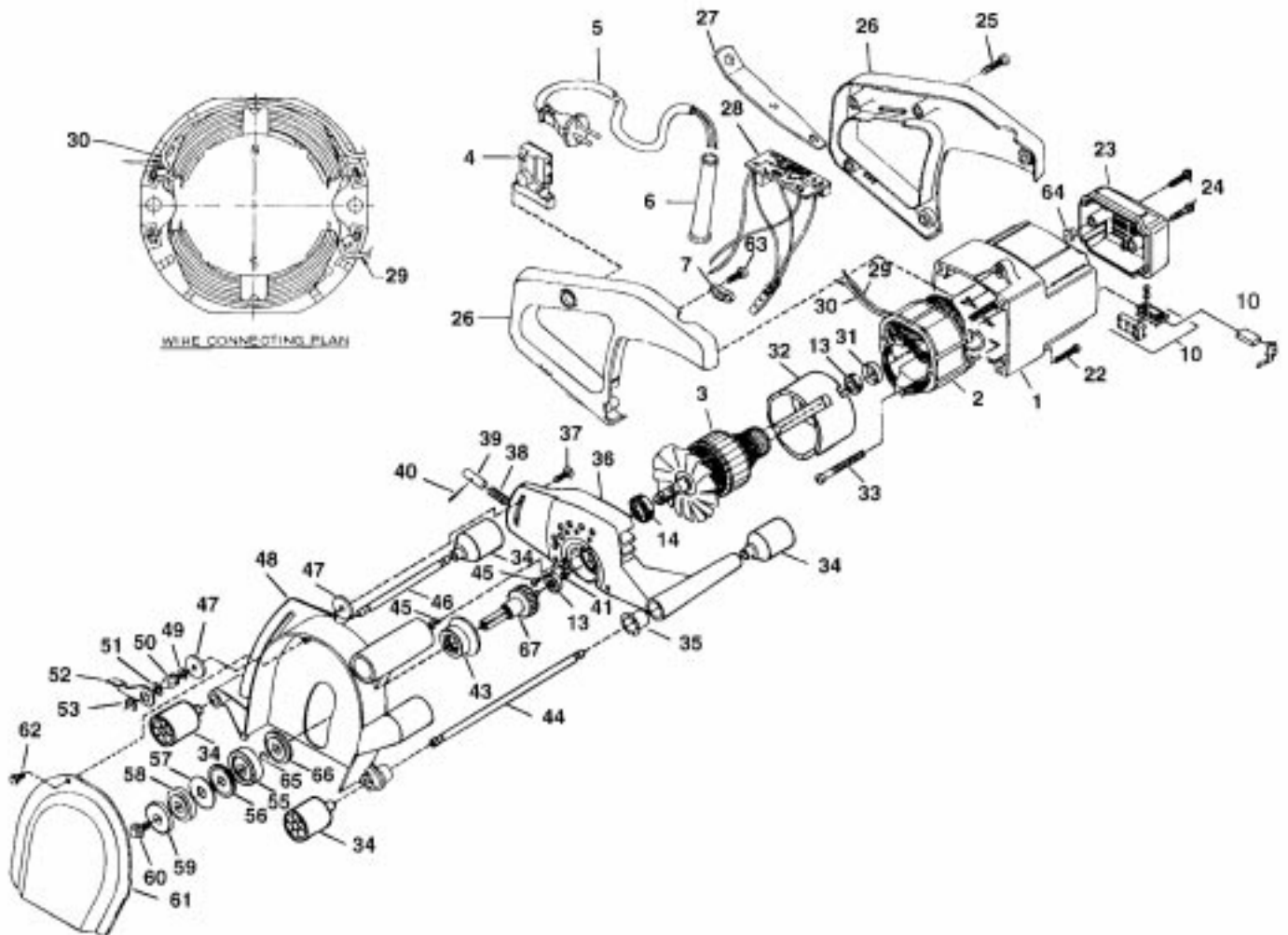


RIDGID 540



Ref. No.	Description	Cat.No.	Ref. No.	Description	Cat.No.	Ref. No.	Description	Cat.No.
1	Housing	41816	30	Lead wire assy	41886	49	Washer	41466
2	Field 230V	41786	31	Rubber sleeve	41776	50	Nut	41456
3	Armature 230V	41756	32	Baffle	41766	51	Loaded spring washer	41446
4	Switch	41646	33	Screw (2)	41796	52	Lever	41436
5	Cord and plug 230V	41656	34	Wheel (4)	41506	53	Retainer	41426
6	Cord guard	41676	35	Nyliner	41576	55	Spacer	41406
7	Cord clamp	41686	36	Gear housing	41736	56	Spacer	41396
10	Brush +Brush holder set	41856	37	Carriage bolt	41626	57	Spacer	41386
13	Ball bearing (2)	41556	38	Spring	41616	58	Spacer	41376
14	Ball bearing	41746	39	Lock pin	41596	59	Outer washer	41366
22	Screw (4)	41806	40	Roll pin	41606	60	Shaft bolt	41356
23	End cap	41836	41	Retainer	41566	61	Cover plate	41486
24	Screw (2)	41846	43	Bearing plate assy	41536	62	Screw	41496
25	Screw (5)	41726	44	Shaft (long)	41516	63	Screw (2)	41696
26	Handle compl	41636	45	Screw (6)	41586	64	Bumper (2)	41826
27	Wrench	41716	46	Shaft (short)	41526	65	Retainer	81706
28	Overload protector	41706	47	Washer (2)	41476	66	Inner flange	41416
29	Lead wire assy	41876	48	Upper guard	41866	67	Gear and shaft assy	41546