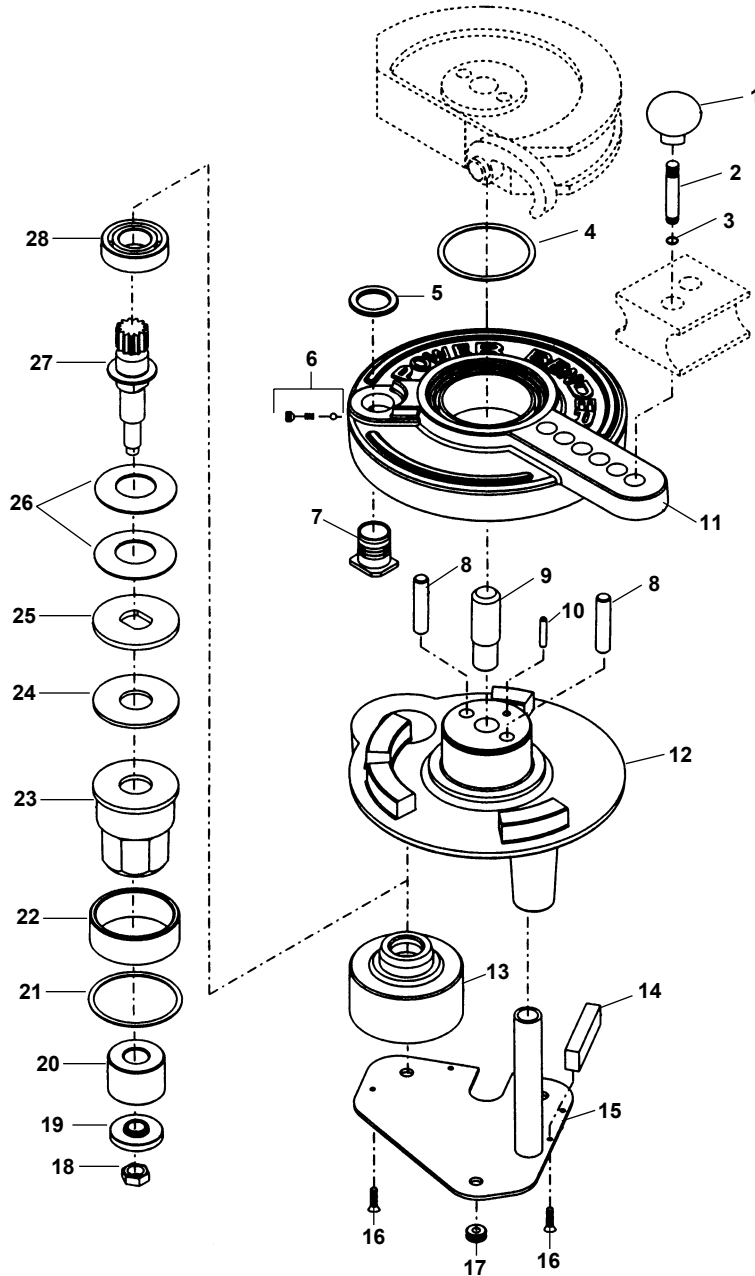


RIDGID Power Bender



**NOTE: Order parts by Catalog Number only.
DO NOT order by Reference Number.**

Ref. No.	Catalog No.	Description	Ref. No.	Catalog No.	Description
1	52352	Knob	17	52892	Grommet (3)
2	52832	Slider Pin	18	44745	Hex Jam Nut
3	52837	O-Ring	19	52902	Stop Washer
4	52842	Spiral Retaining Ring	20	52907	Shaft Bearing
5	52852	Stop Knob	21	52912	Spiral Retaining Ring
6	35307	Detente Assembly	22	52917	Base Plate Bearing
7	52857	Eccentric Stop	23	52922	Drive Lug
8	52862	Locking Pin (2)	24	52927	Friction Disc
9	52867	Center Pin	25	52932	Drive Plate
10	36387	Roll Pin 1/16" x 1"	26	52937	Belleville Washer (2)
11	52872	Ring Gear Assembly	27	52942	Drive Pinion
12	52877	Base Plate	28	45315	Bearing
13	52897	Power Drive Support	—	58672	Warning Label
14	52882	Support Block	—	52947	Bend Label
15	52887	Stand Base	—	52952	Over Bend Label
16	27242	Screw 10-32 x 1/2" (4)	—	52172	Carrying Case